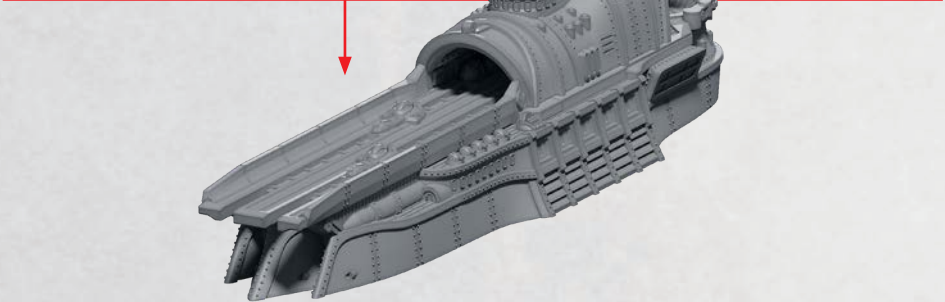
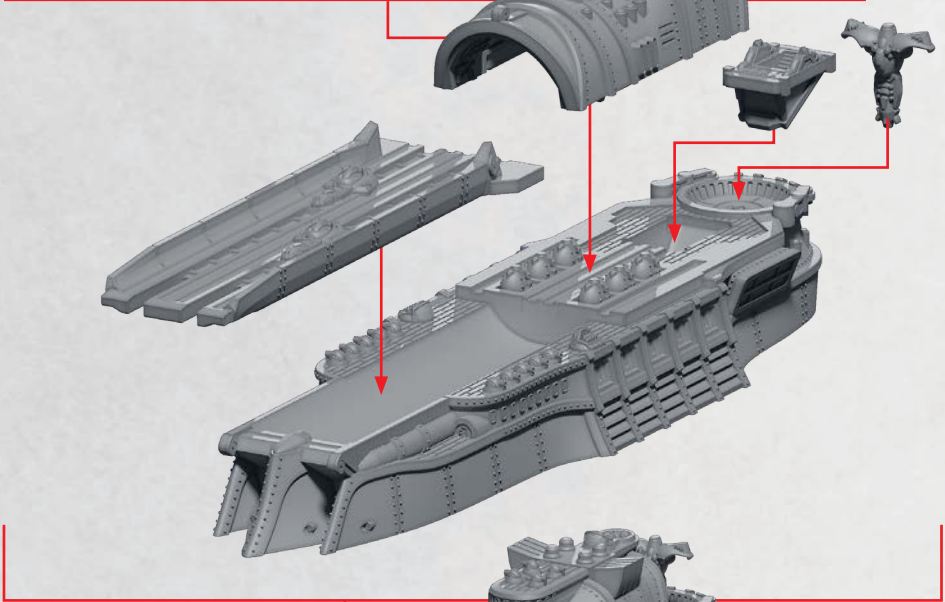
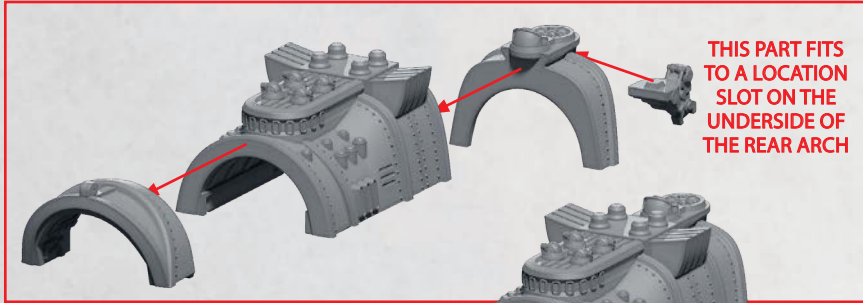




# HACHIMAN ASSUALT CARRIER

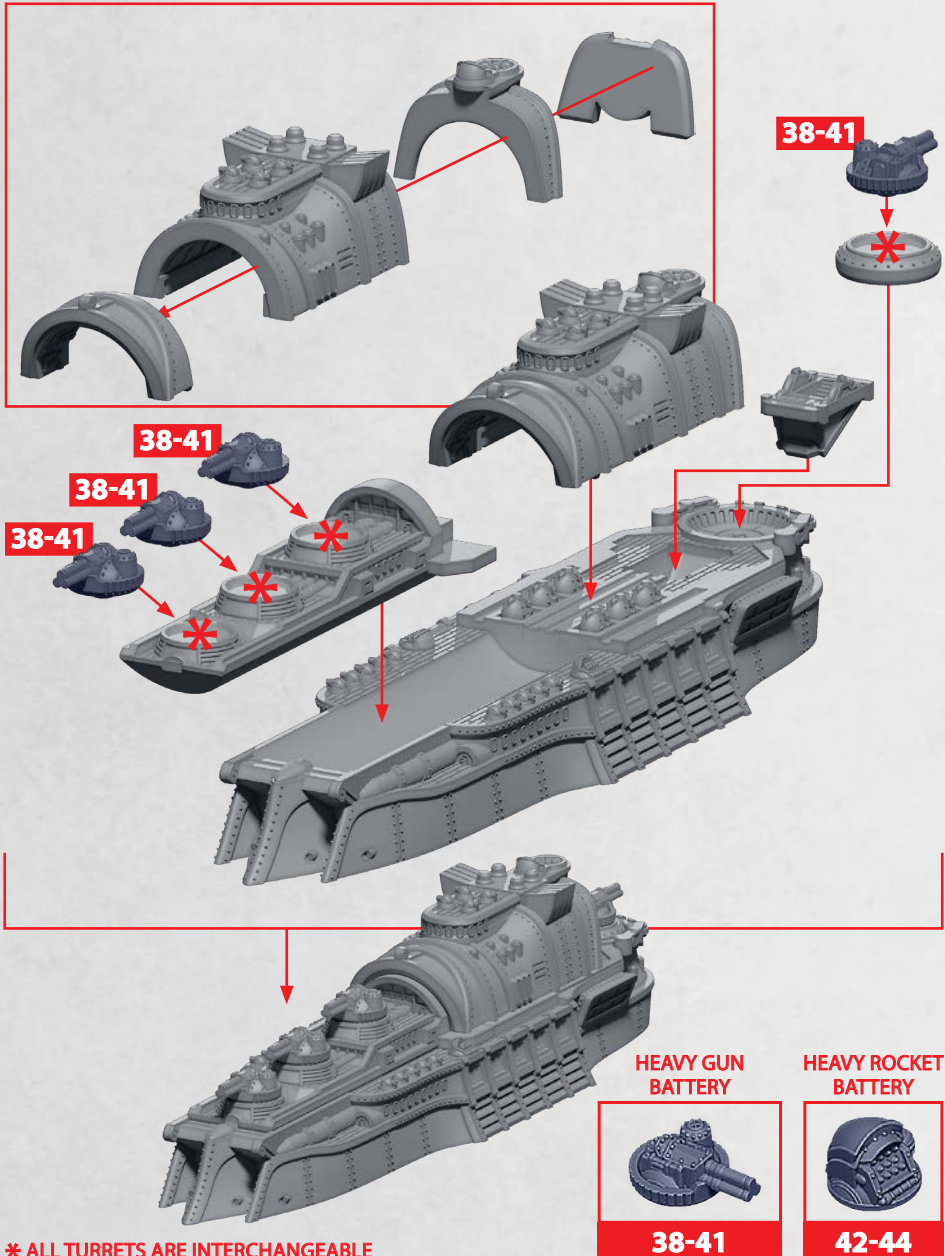
ALL PARTS CAN BE FOUND AS RESIN





# AKITA ASSAULT CARRIER

ALL PARTS CAN BE FOUND AS RESIN



\* ALL TURRETS ARE INTERCHANGEABLE

**HEAVY GUN BATTERY**

**38-41**

**HEAVY ROCKET BATTERY**

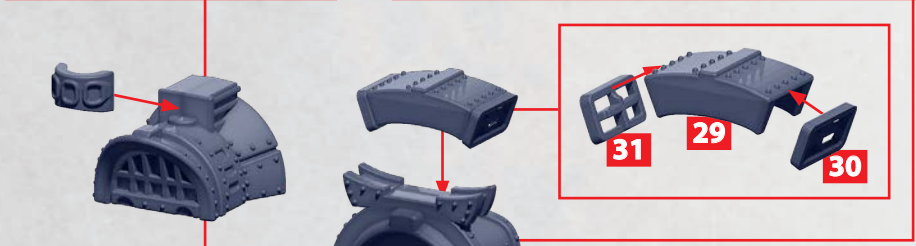
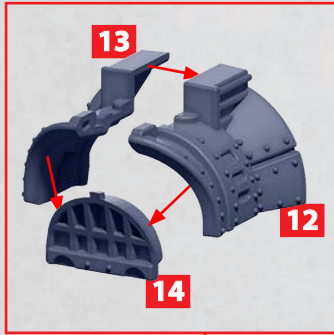
**42-44**





# BRIDGE ASSEMBLY FOR CRUISER CLASS

PARTS CAN BE FOUND ON THE JAPANESE FRONTLINE SQUADRON SPRUES



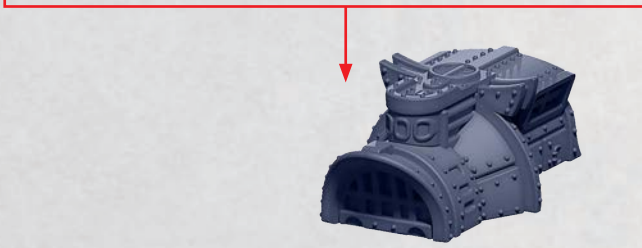
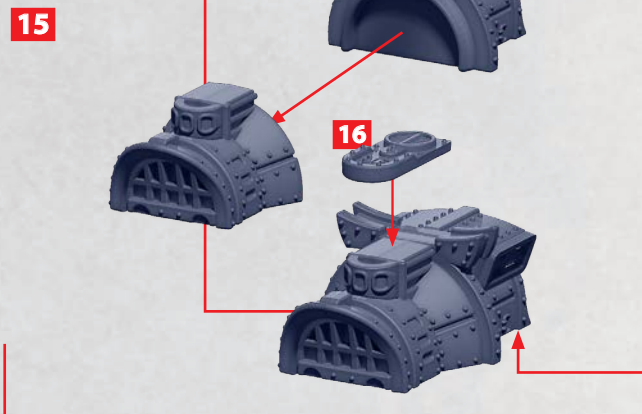
**REAR WALL ROTATES TO DISPLAY EITHER OPTION**



**32**

THE REAR WALL APPEARS ON

- HONSHU
- HOKKAIDO
- KANAGAWA
- OSAKA



THIS SIDE OF THE REAR WALL APPEARS ON

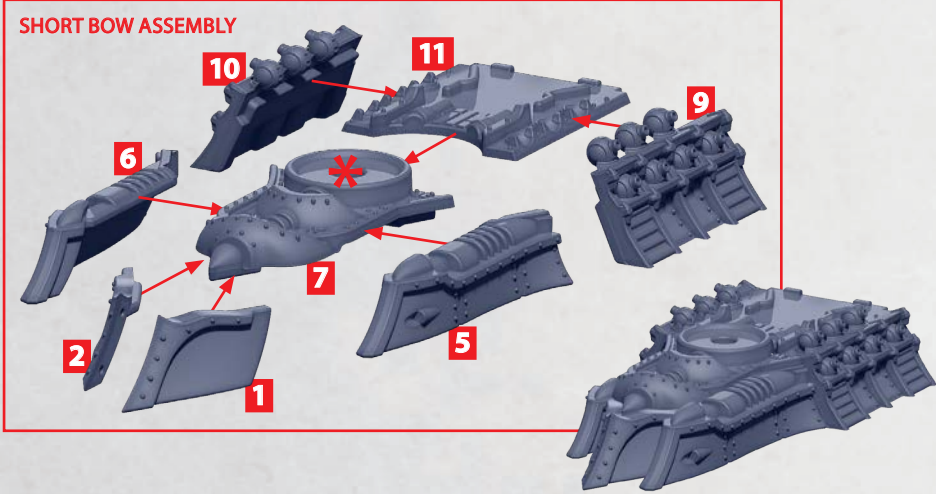
- HONSHU
- HOKKAIDO
- KANAGAWA
- OSAKA



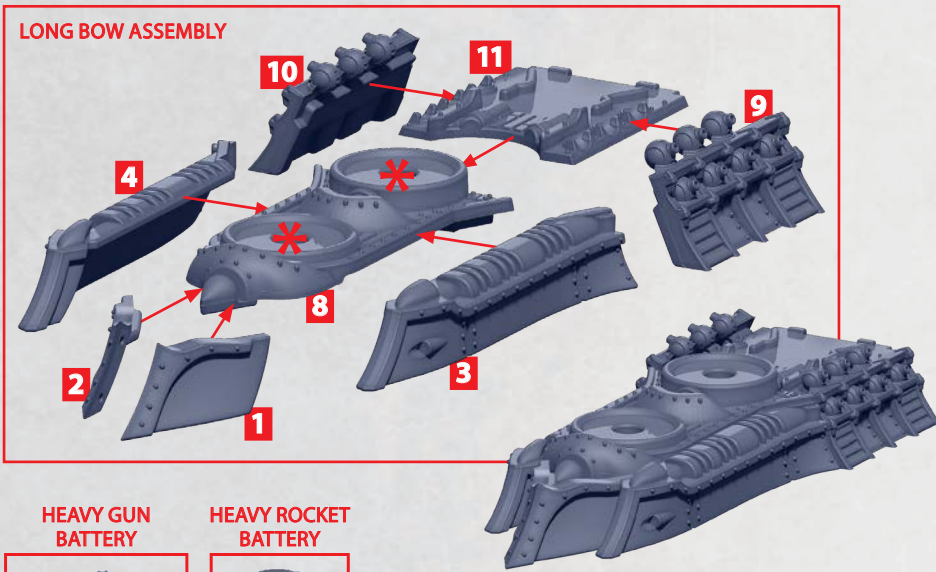
# BOW ASSEMBLY FOR CRUISER CLASS

PARTS CAN BE FOUND ON THE JAPANESE FRONTLINE SQUADRON SPRUES

## SHORT BOW ASSEMBLY



## LONG BOW ASSEMBLY



HEAVY GUN BATTERY



HEAVY ROCKET BATTERY

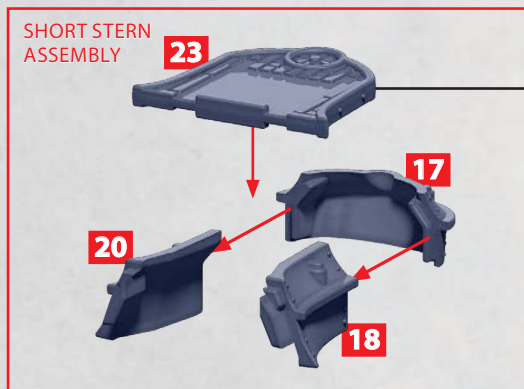


\* ALL TURRETS ARE INTERCHANGEABLE

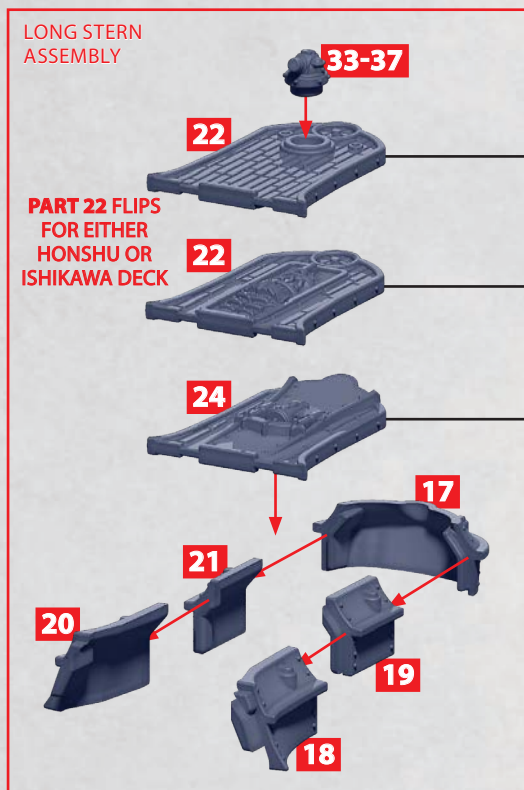


# STERN ASSEMBLY FOR ALL CRUISER CLASS

PARTS CAN BE FOUND ON THE JAPANESE FRONTLINE SQUADRON SPRUES



KANAGAWA & OSAKA CLASS CRUISER



PART 22 FLIPS FOR EITHER HONSHU OR ISHIKAWA DECK

HONSHU & HOKKAIDO CLASS CRUISER

ISHIKAWA & YAMAGUCHI CLASS CRUISER

MIYAGI & OKINAWA CLASS CRUISER





# HONSHU CLASS CRUISER

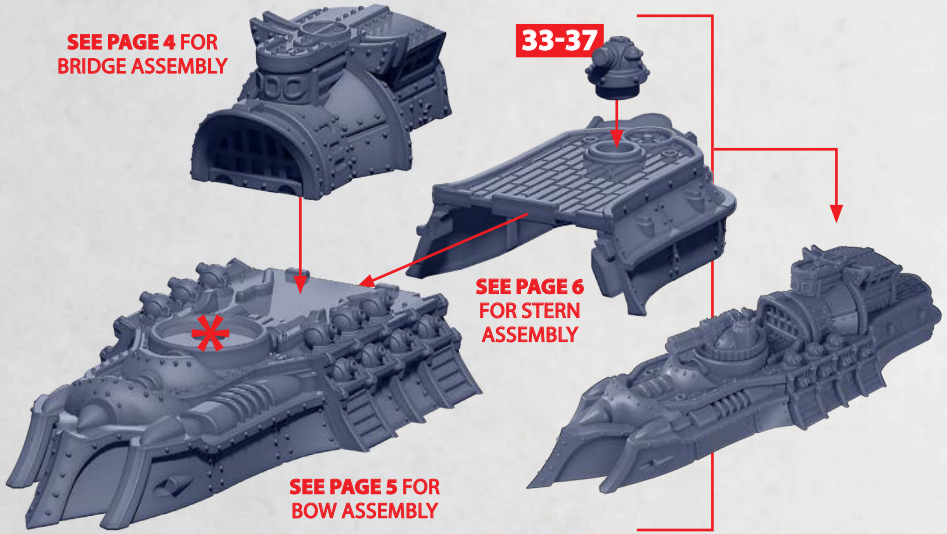
PARTS CAN BE FOUND ON THE JAPANESE FRONTLINE SQUADRON SPRUES

SEE PAGE 4 FOR BRIDGE ASSEMBLY

33-37

SEE PAGE 6 FOR STERN ASSEMBLY

SEE PAGE 5 FOR BOW ASSEMBLY



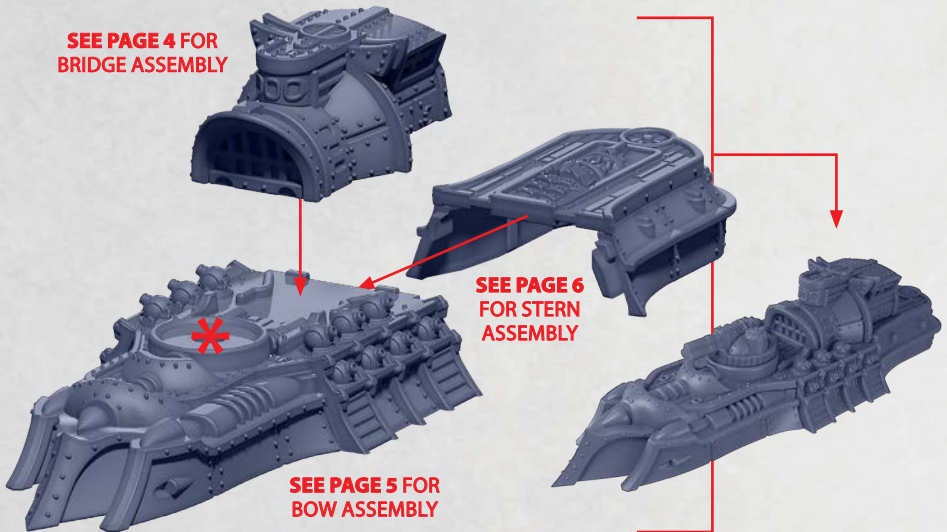
# ISHIKAWA CLASS CRUISER

PARTS CAN BE FOUND ON THE JAPANESE FRONTLINE SQUADRON SPRUES

SEE PAGE 4 FOR BRIDGE ASSEMBLY

SEE PAGE 6 FOR STERN ASSEMBLY

SEE PAGE 5 FOR BOW ASSEMBLY



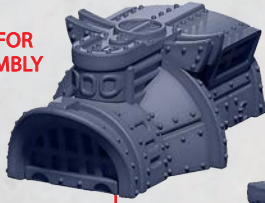
\* ALL TURRETS ARE INTERCHANGEABLE – SEE PAGE 5 FOR OPTIONS



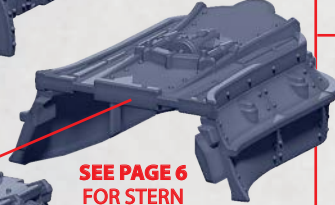
# MIYAGI CLASS CRUISER

PARTS CAN BE FOUND ON THE JAPANESE FRONTLINE SQUADRON SPRUES

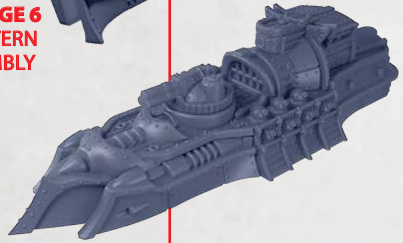
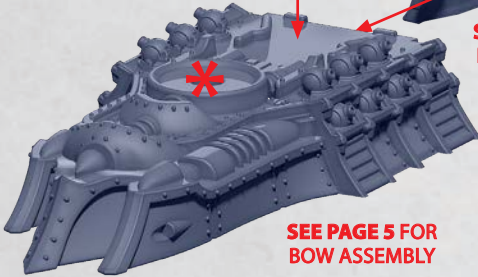
SEE PAGE 4 FOR BRIDGE ASSEMBLY



SEE PAGE 6 FOR STERN ASSEMBLY



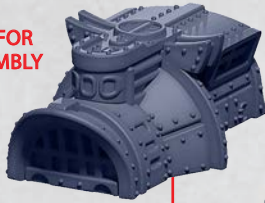
SEE PAGE 5 FOR BOW ASSEMBLY



# HOKKAIDO CLASS CRUISER

PARTS CAN BE FOUND ON THE JAPANESE FRONTLINE SQUADRON SPRUES

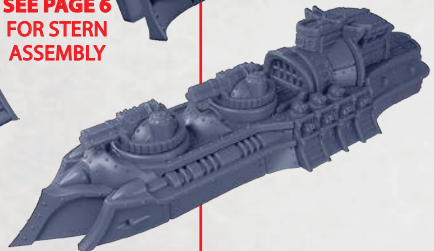
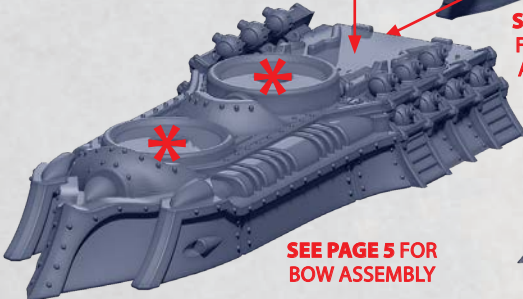
SEE PAGE 4 FOR BRIDGE ASSEMBLY



SEE PAGE 6 FOR STERN ASSEMBLY



SEE PAGE 5 FOR BOW ASSEMBLY



\* ALL TURRETS ARE INTERCHANGEABLE – SEE PAGE 5 FOR OPTIONS

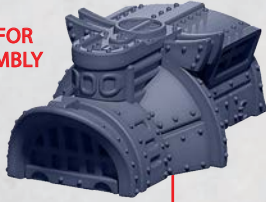




# YAMAGUCHI CLASS CRUISER

PARTS CAN BE FOUND ON THE JAPANESE FRONTLINE SQUADRON SPRUES

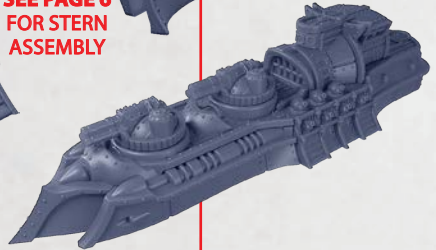
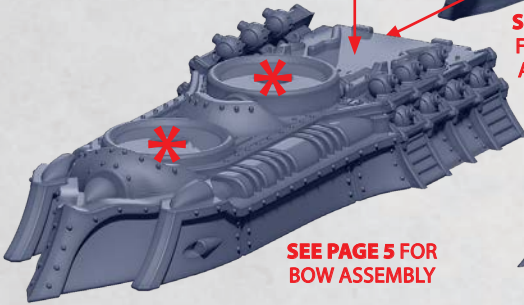
SEE PAGE 4 FOR BRIDGE ASSEMBLY



SEE PAGE 6 FOR STERN ASSEMBLY



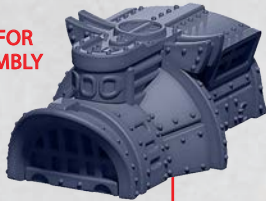
SEE PAGE 5 FOR BOW ASSEMBLY



# OKINAWA CLASS CRUISER

PARTS CAN BE FOUND ON THE JAPANESE FRONTLINE SQUADRON SPRUES

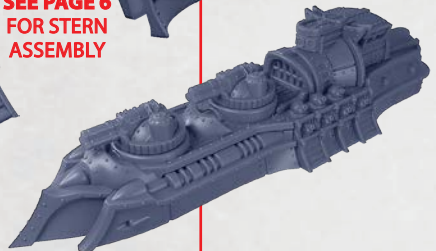
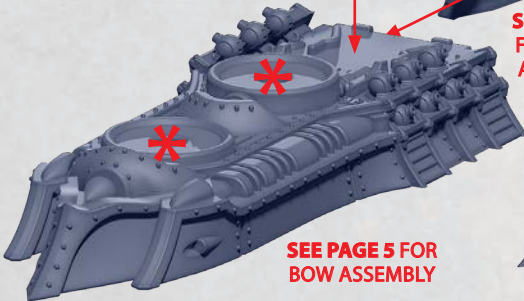
SEE PAGE 4 FOR BRIDGE ASSEMBLY



SEE PAGE 6 FOR STERN ASSEMBLY



SEE PAGE 5 FOR BOW ASSEMBLY



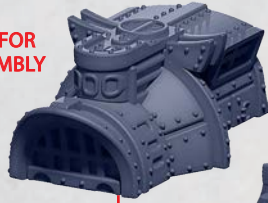
\* ALL TURRETS ARE INTERCHANGEABLE – SEE PAGE 5 FOR OPTIONS



# KANAGAWA CLASS CRUISER

PARTS CAN BE FOUND ON THE JAPANESE FRONTLINE SQUADRON SPRUES

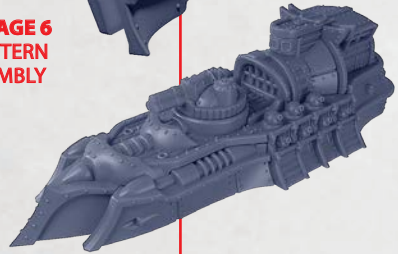
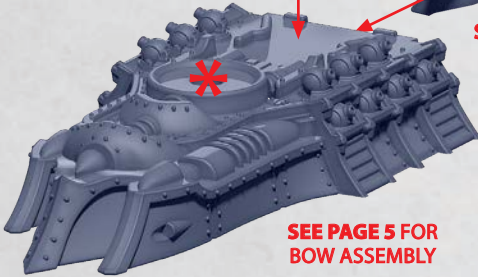
SEE PAGE 4 FOR BRIDGE ASSEMBLY



SEE PAGE 6 FOR STERN ASSEMBLY



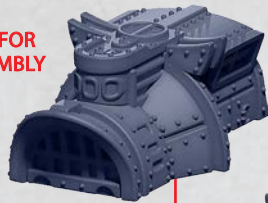
SEE PAGE 5 FOR BOW ASSEMBLY



# OSAKA CLASS CRUISER

PARTS CAN BE FOUND ON THE JAPANESE FRONTLINE SQUADRON SPRUES

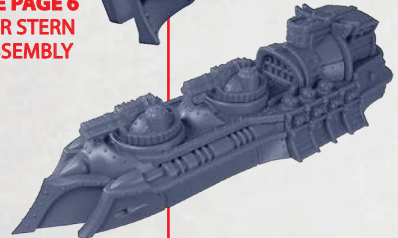
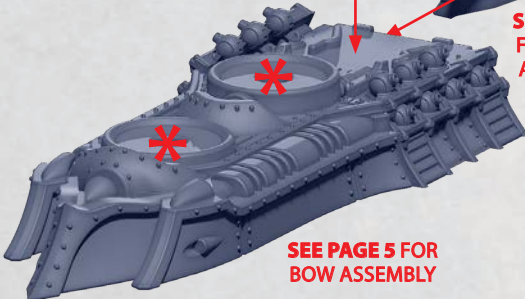
SEE PAGE 4 FOR BRIDGE ASSEMBLY



SEE PAGE 6 FOR STERN ASSEMBLY



SEE PAGE 5 FOR BOW ASSEMBLY

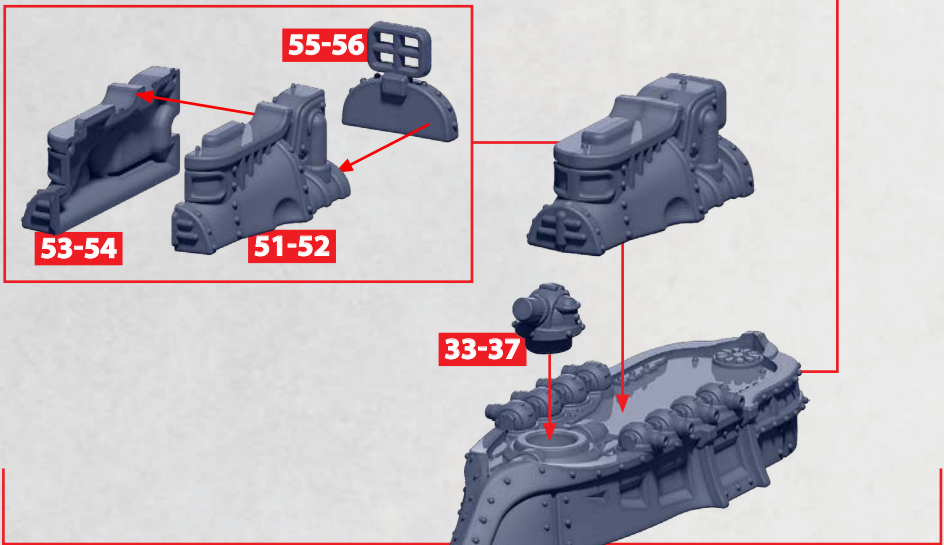
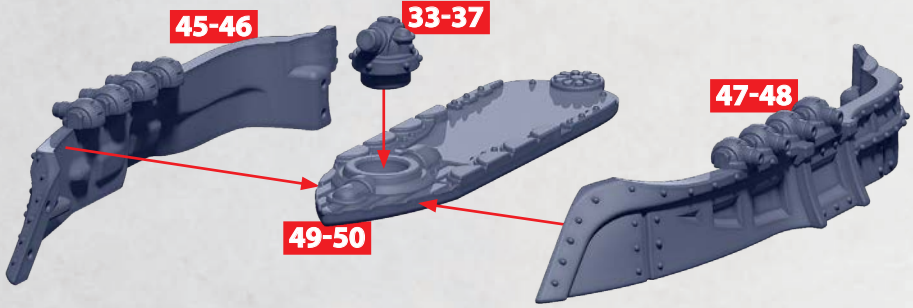


\* ALL TURRETS ARE INTERCHANGEABLE – SEE PAGE 5 FOR OPTIONS



# KYOTO CLASS FRIGATE

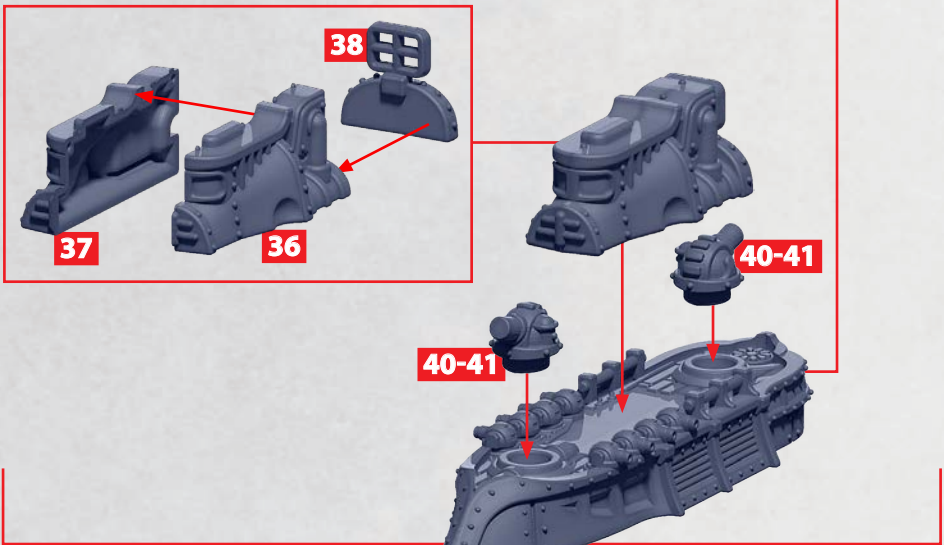
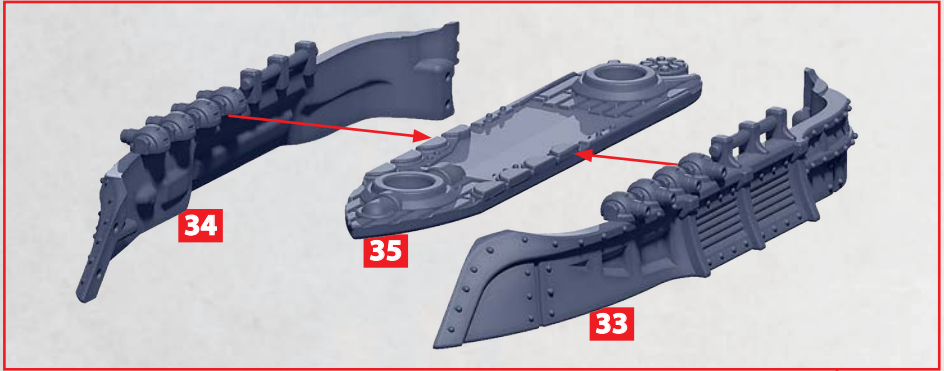
PARTS CAN BE FOUND ON THE JAPANESE FRONTLINE SQUADRON SPRUES





# SAKATA CLASS DESTROYER

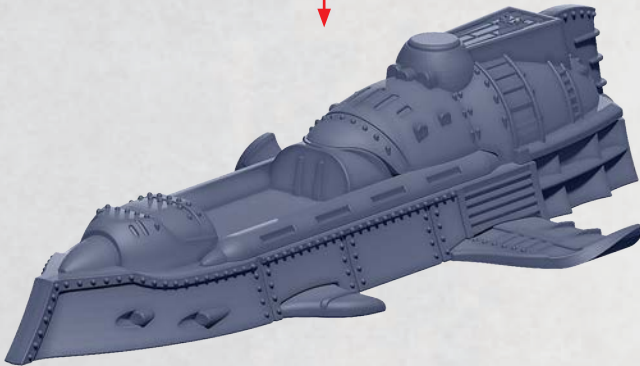
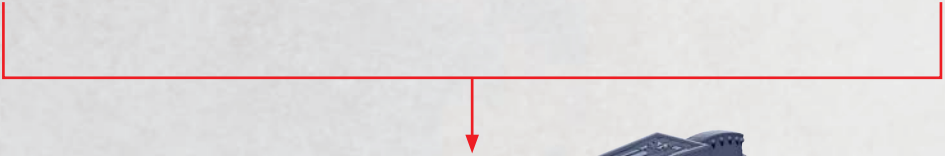
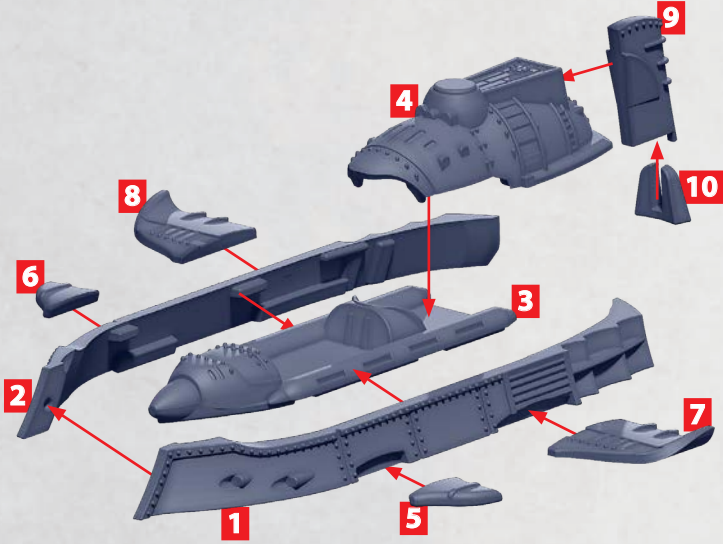
PARTS CAN BE FOUND ON THE **EMPIRE JAPANESE SUPPORT SPRUES**





# HULL ASSEMBLY FOR RYUJIN, KAGUTSUCHI, MIZUCHI OR KENSAI SUBMERSIBLE

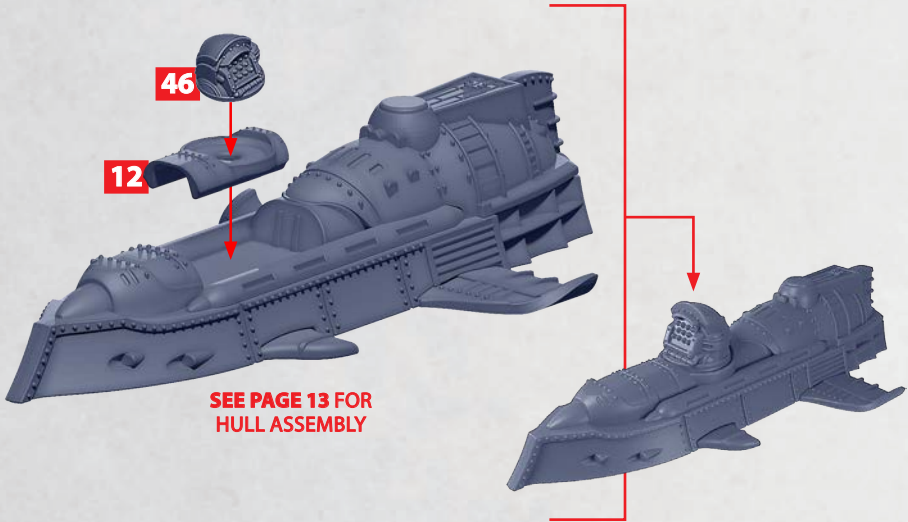
PARTS CAN BE FOUND ON THE EMPIRE JAPANESE SUPPORT SPRUES





# RYUJIN SUBMERSIBLE

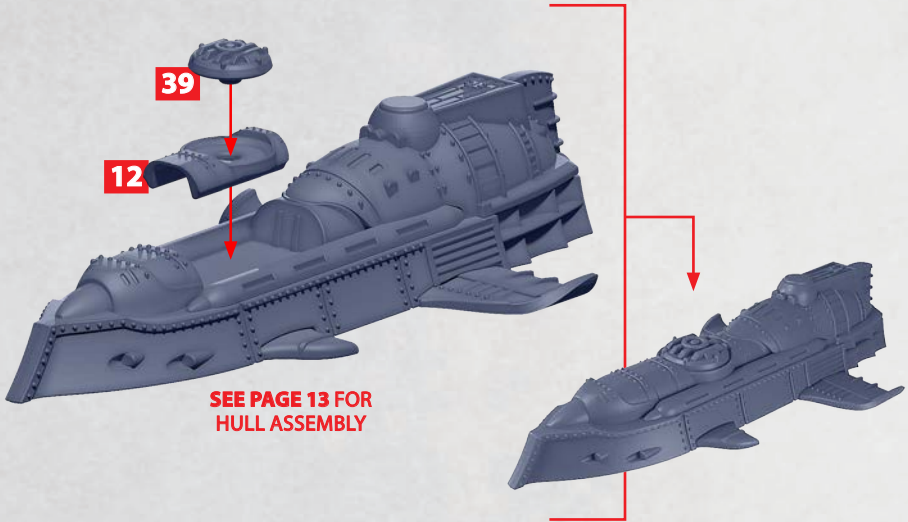
PARTS CAN BE FOUND ON THE EMPIRE JAPANESE SUPPORT SPRUES



SEE PAGE 13 FOR HULL ASSEMBLY

# KAGUTSUCHI SUBMERSIBLE

PARTS CAN BE FOUND ON THE EMPIRE JAPANESE SUPPORT SPRUES

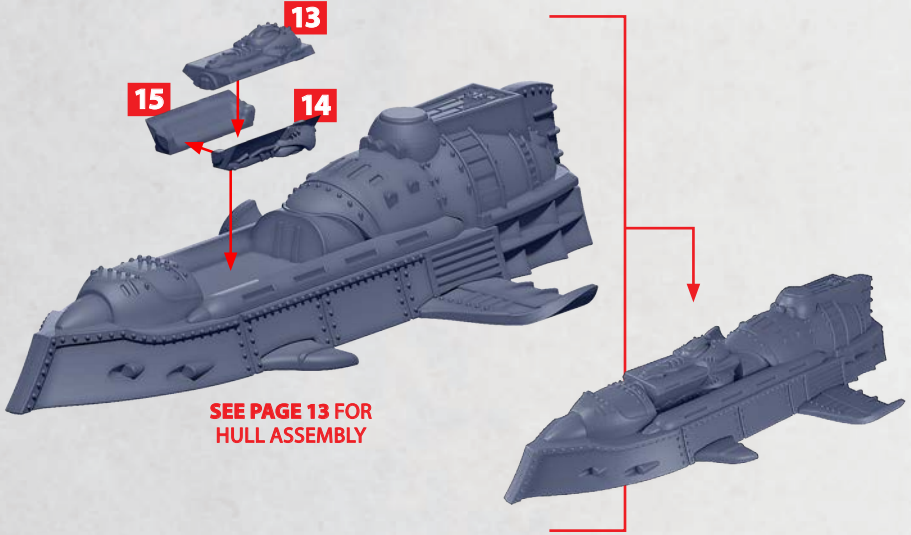


SEE PAGE 13 FOR HULL ASSEMBLY



# MIZUCHI SUBMERSIBLE

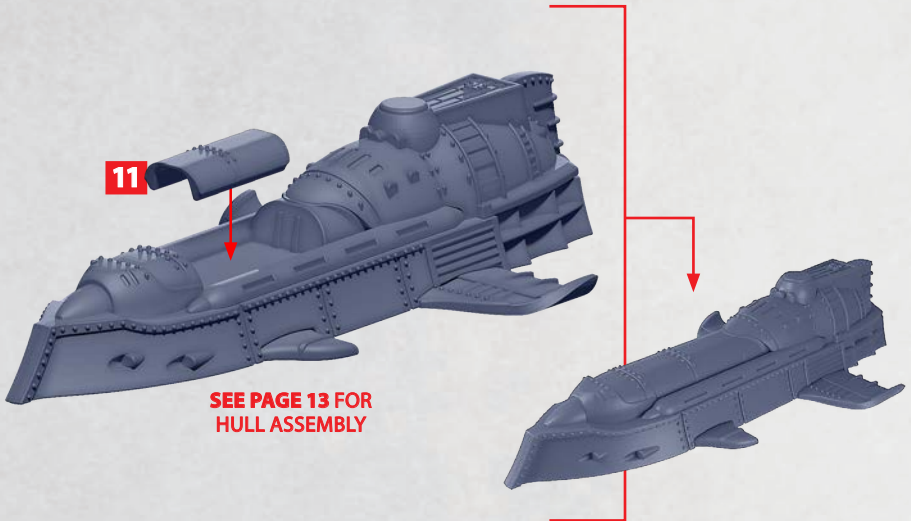
PARTS CAN BE FOUND ON THE EMPIRE JAPANESE SUPPORT SPRUES



SEE PAGE 13 FOR HULL ASSEMBLY

# KENSAI SUBMERSIBLE

PARTS CAN BE FOUND ON THE EMPIRE JAPANESE SUPPORT SPRUES

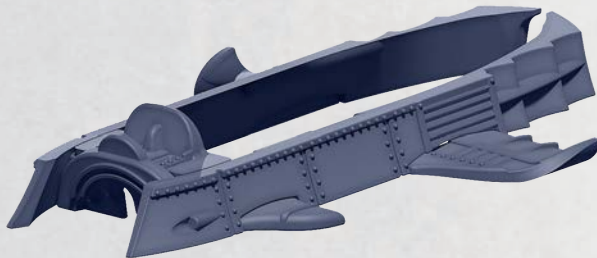
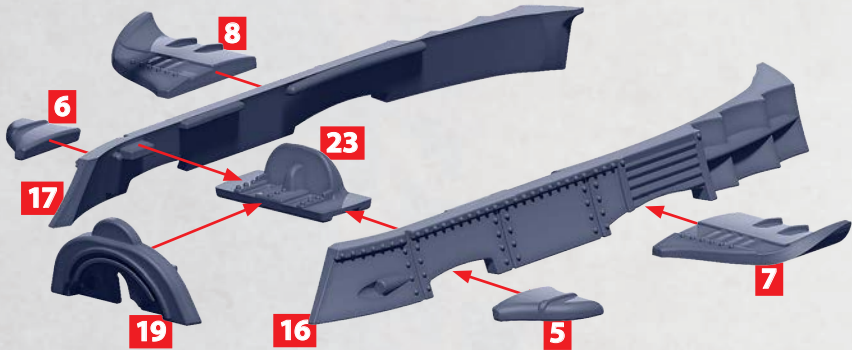


SEE PAGE 13 FOR HULL ASSEMBLY



# HULL ASSEMBLY FOR KOROMODAKO AND UMIBOZO

PARTS CAN BE FOUND ON THE EMPIRE JAPANESE SUPPORT SPRUES



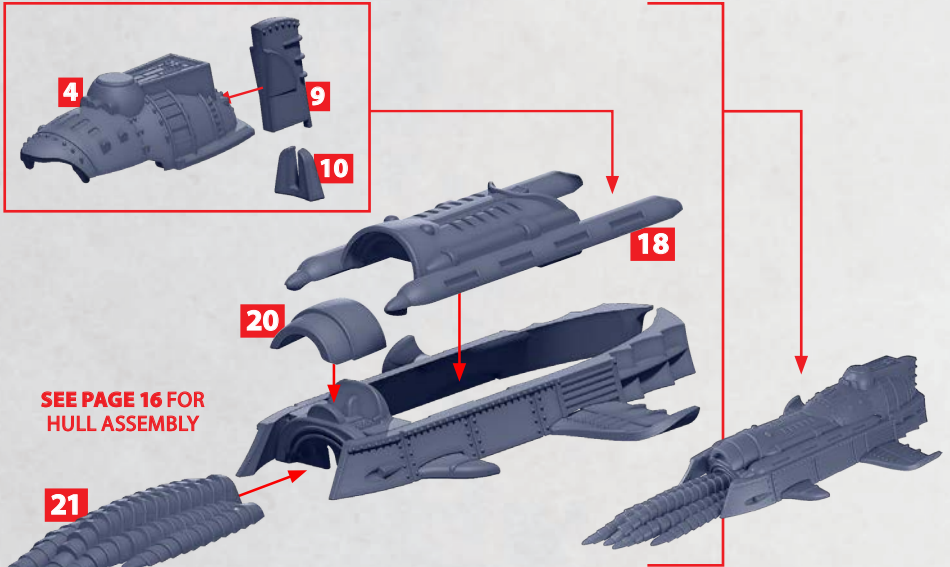
16





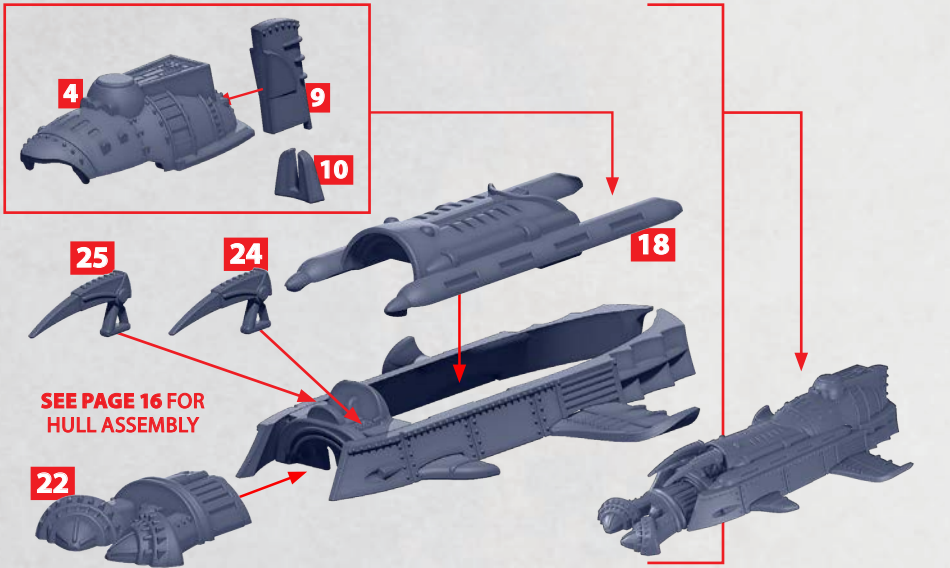
# KOROMODAKO

PARTS CAN BE FOUND ON THE EMPIRE JAPANESE SUPPORT SPRUES



# UMIBOZU

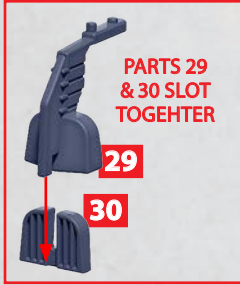
PARTS CAN BE FOUND ON THE EMPIRE JAPANESE SUPPORT SPRUES



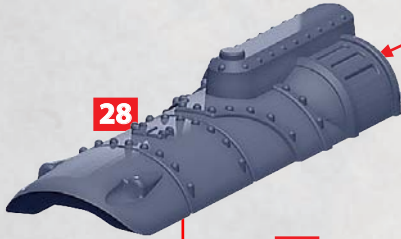


# CHUBU CLASS SUBMARINE

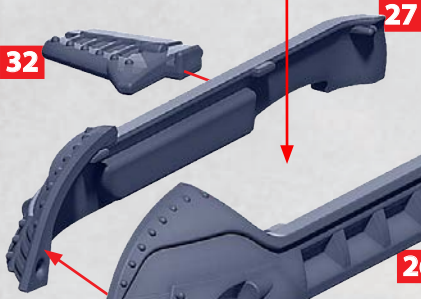
PARTS CAN BE FOUND ON THE EMPIRE JAPANESE SUPPORT SPRUES



180°  
ROTATED



28



32

27

26

31

