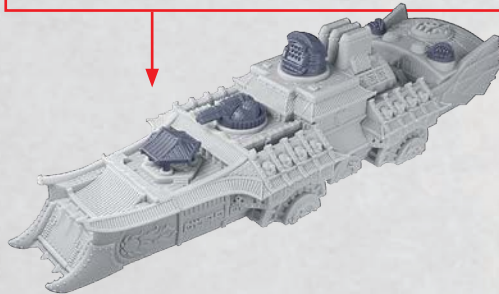
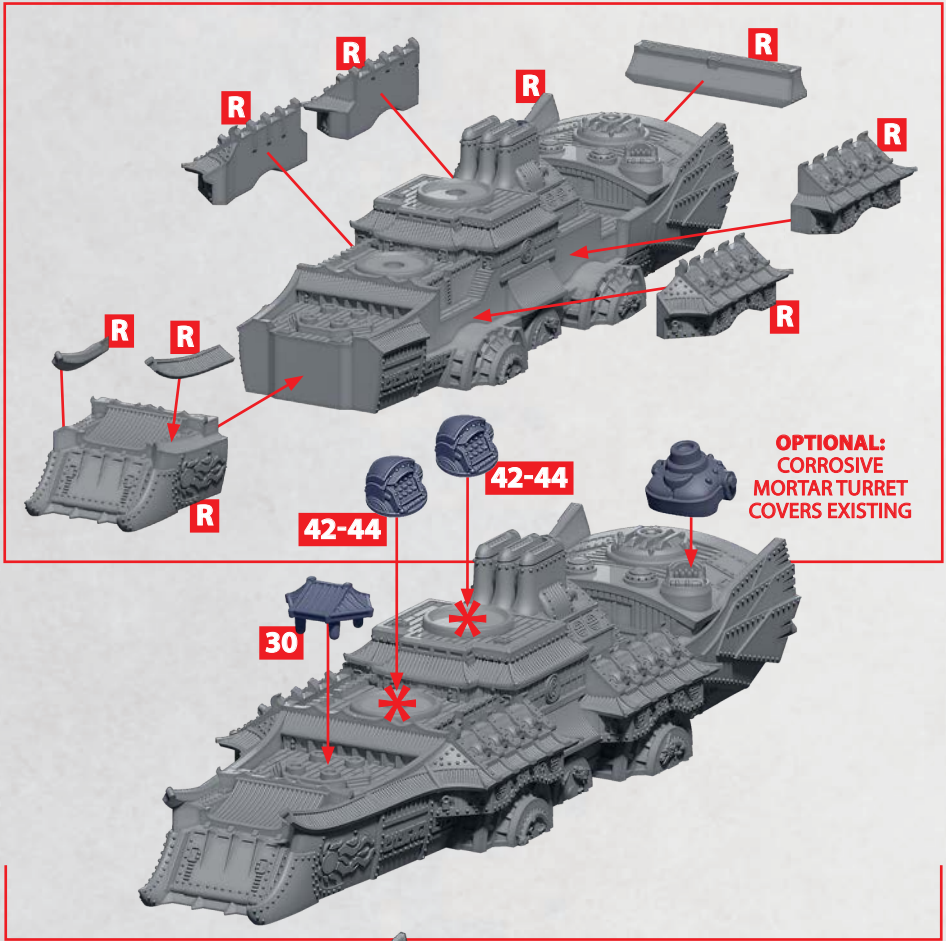


ERGUN BATTLESHIP

PARTS CAN BE FOUND ON THE **EMPIRE FRONTLINE** SPRUES AS WELL AS **RESIN** PARTS



* ALL TURRETS ARE INTERCHANGEABLE

HEAVY
ROCKET
BATTERY



42-44

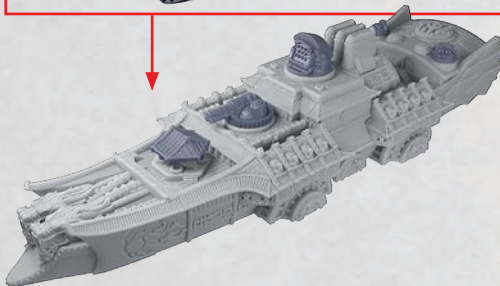
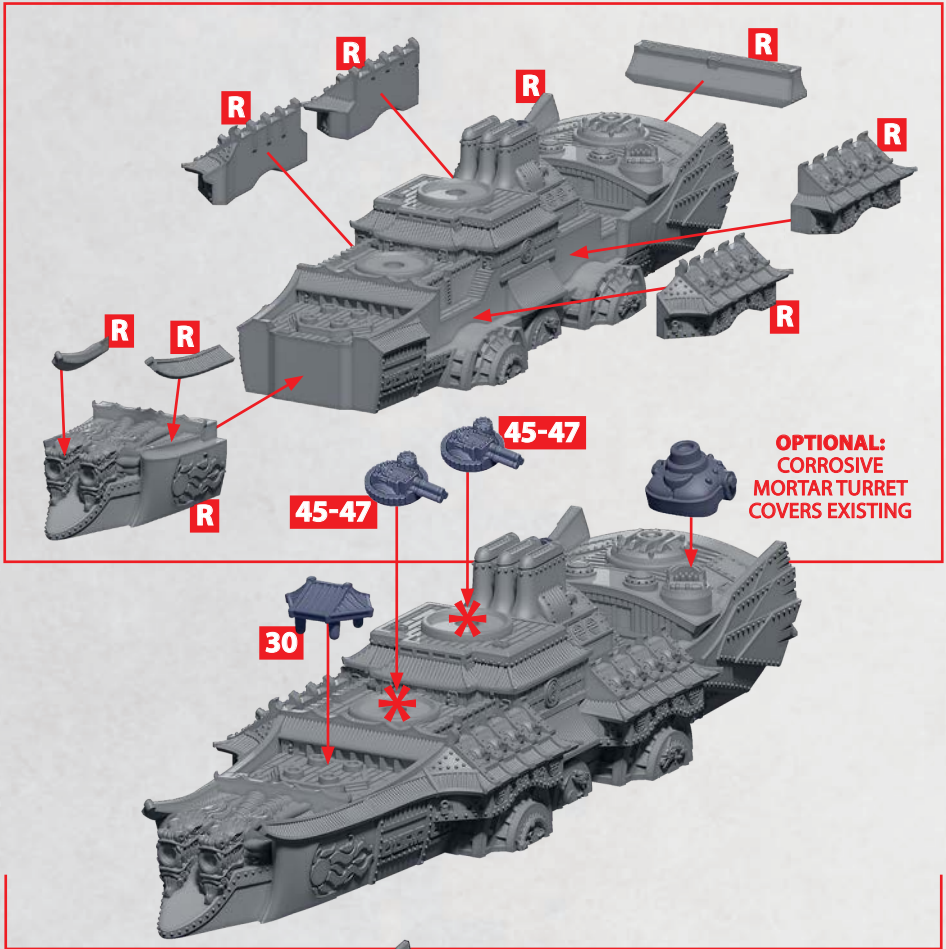
HEAVY
GUN
BATTERY



45-47

HEILONG BATTLESHIP

PARTS CAN BE FOUND ON THE **EMPIRE FRONTLINE** SPRUES AS WELL AS **RESIN** PARTS



* ALL TURRETS ARE INTERCHANGEABLE

HEAVY
ROCKET
BATTERY



42-44

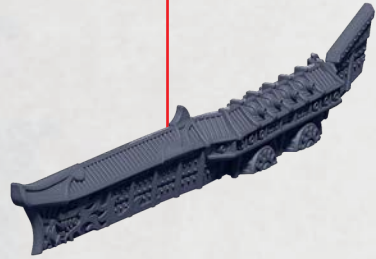
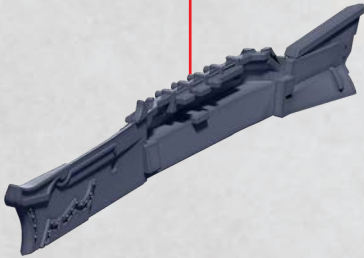
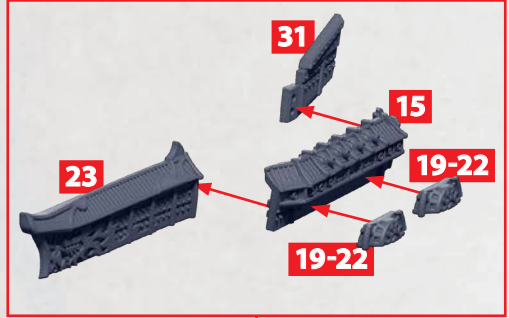
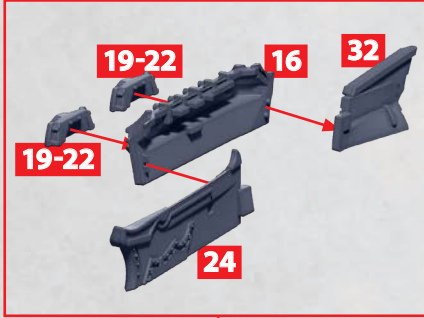
HEAVY
GUN
BATTERY



45-47

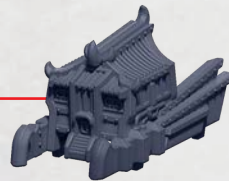
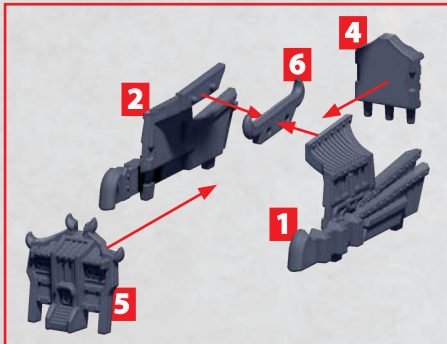
DIYU, YAOJI, MEKONG, WUHAN, LANTAU AND QIANG HULL SIDES ASSEMBLY

PARTS CAN BE FOUND ON THE **EMPIRE SUPPORT SQUADRONS SPRUES**



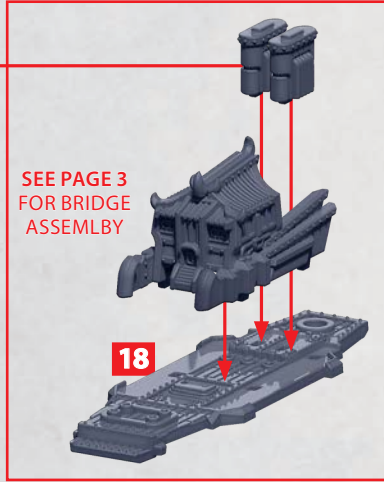
DIYU, YAOJI, MEKONG, WUHAN, LANTAU AND QIANG BRIDGE ASSEMBLY

PARTS CAN BE FOUND ON THE **EMPIRE SUPPORT SQUADRONS SPRUES**



DIYU, YAOJI, MEKONG, WUHAN, LANTAU AND QIANG DECK ASSEMBLY

PARTS CAN BE FOUND ON THE **EMPIRE SUPPORT SQUADRONS** SPRUES



DIYU, YAOJI, MEKONG, WUHAN, LANTAU AND QIANG BOW ASSEMBLY

PARTS CAN BE FOUND ON THE **EMPIRE SUPPORT SQUADRONS** SPRUES

DIYU, YAOJI AND QIANG

ROTATE DECK TO CORRECT SIDE



MEKONG

ROTATE DECK TO CORRECT SIDE



WUHAN

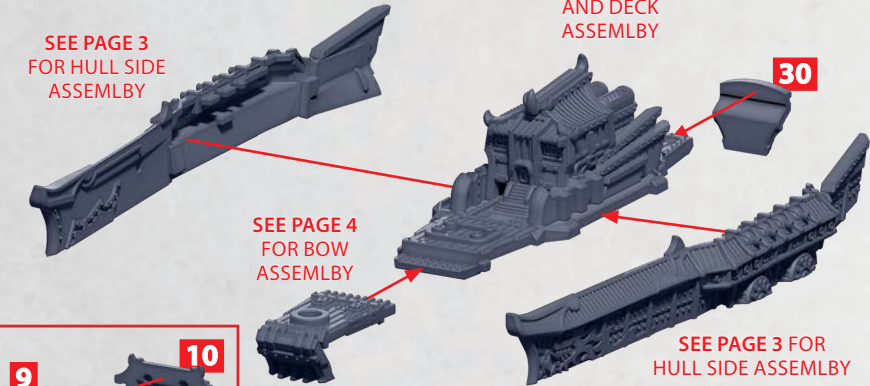


DIYU IMMOLATION CRUISER

PARTS CAN BE FOUND ON THE **EMPIRE SUPPORT SQUADRONS** SPRUES

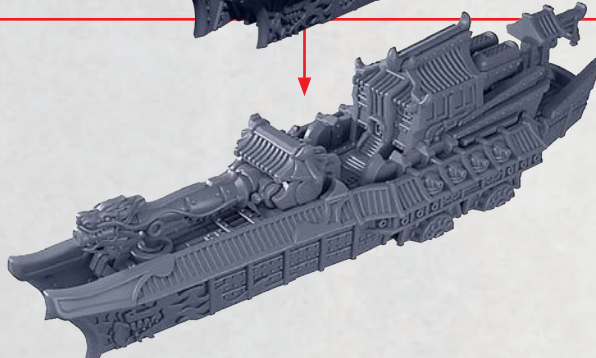
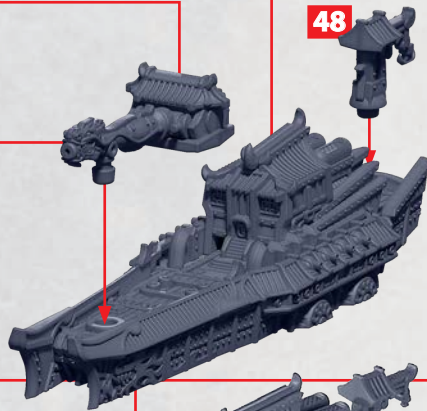
SEE PAGE 3
FOR HULL SIDE
ASSEMBLY

SEE PAGE 3
FOR BRIDGE
AND DECK
ASSEMBLY



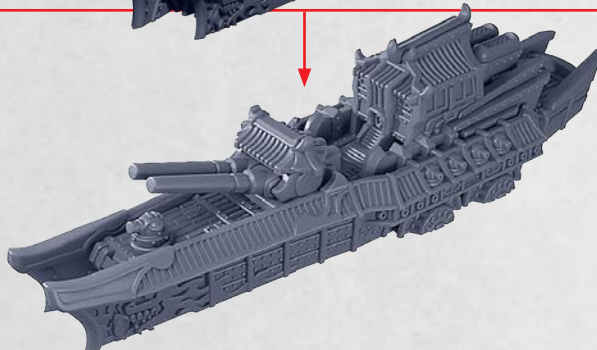
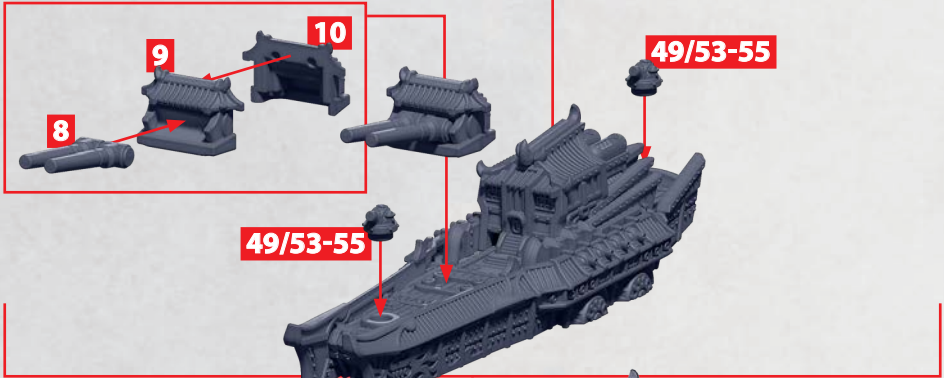
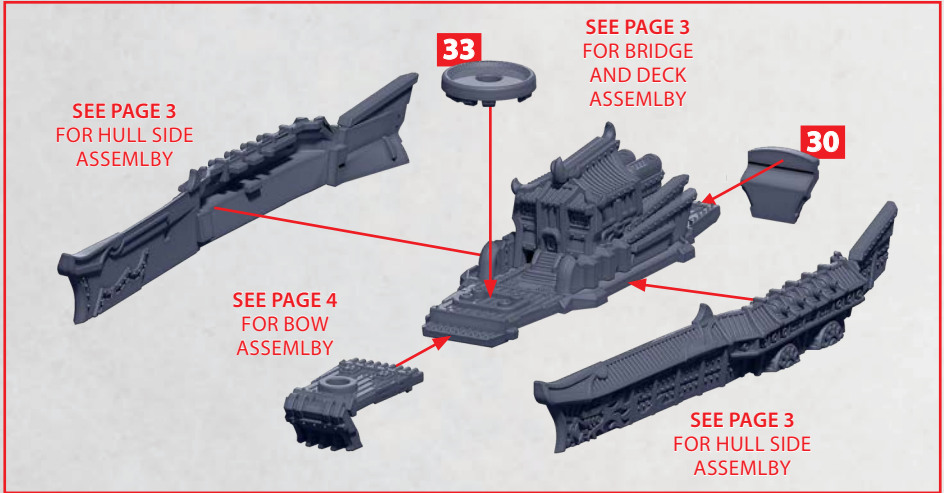
SEE PAGE 4
FOR BOW
ASSEMBLY

SEE PAGE 3 FOR
HULL SIDE ASSEMBLY



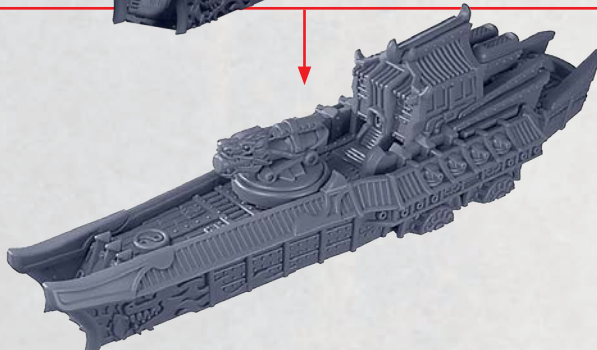
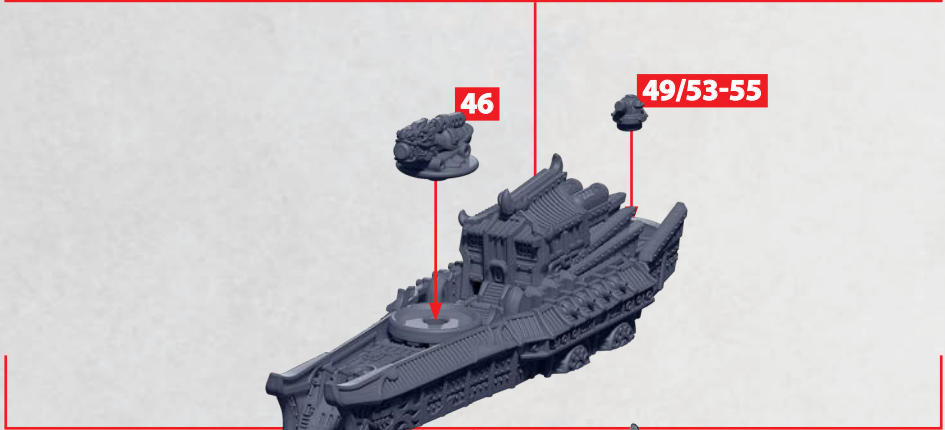
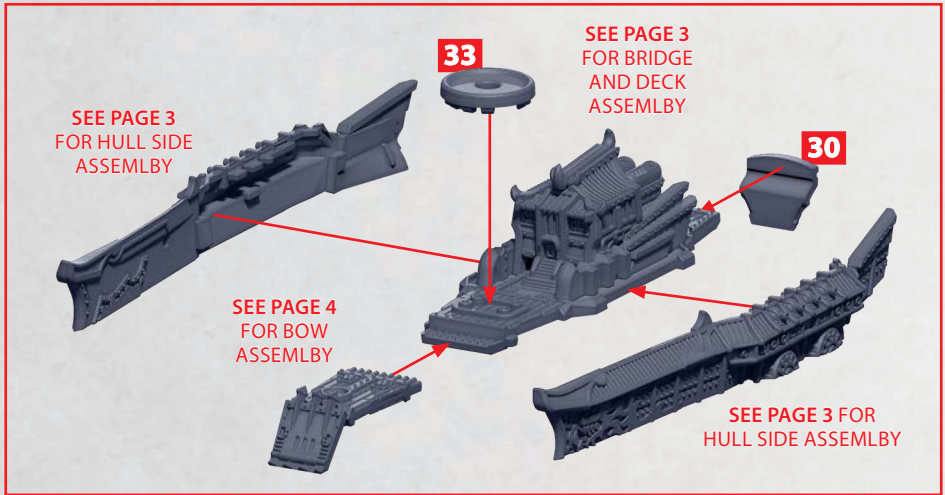
YAOJI BOMBARDMENT CRUISER

PARTS CAN BE FOUND ON THE **EMPIRE SUPPORT SQUADRONS** SPRUES



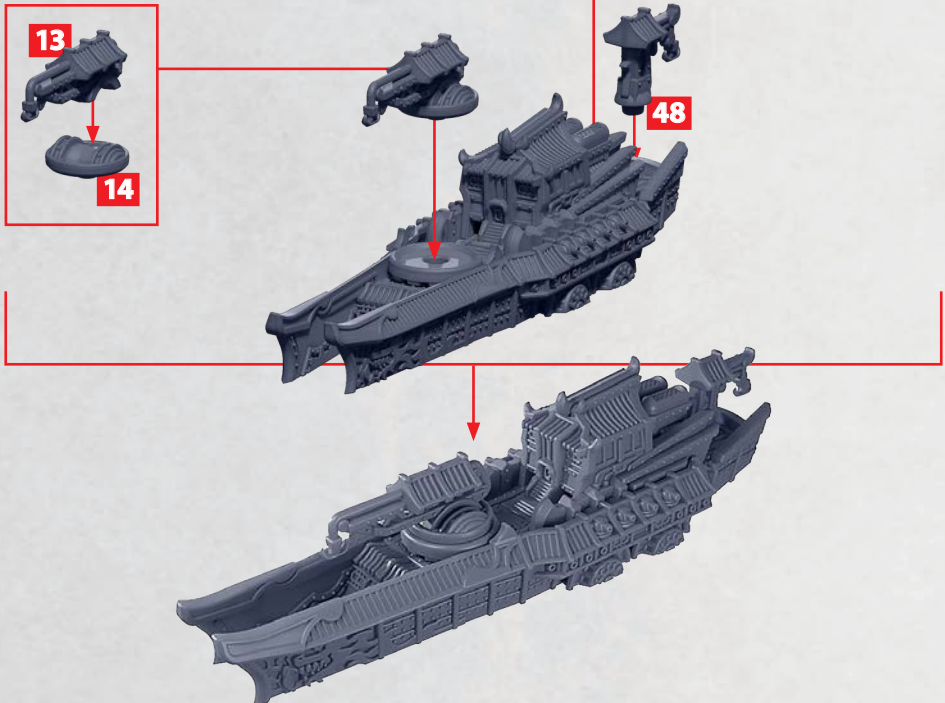
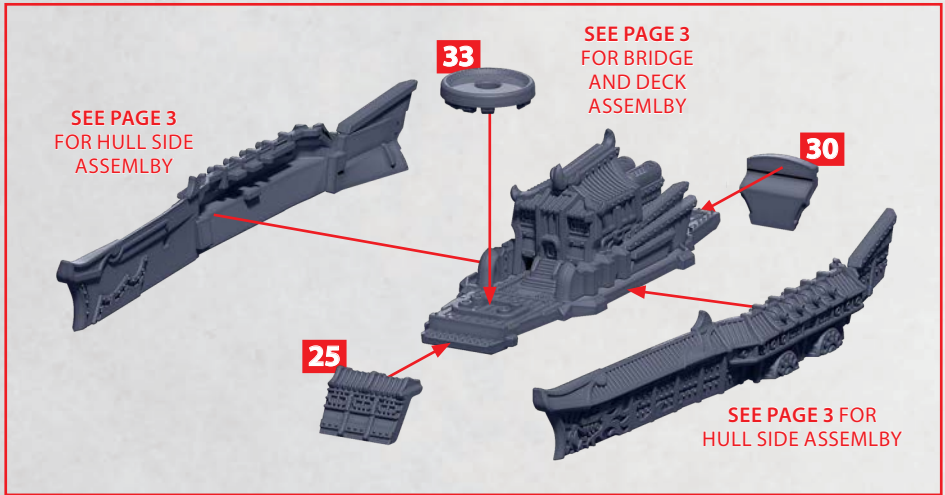
MEKONG LITTORAL CRUISER

PARTS CAN BE FOUND ON THE **EMPIRE SUPPORT SQUADRONS** SPRUES



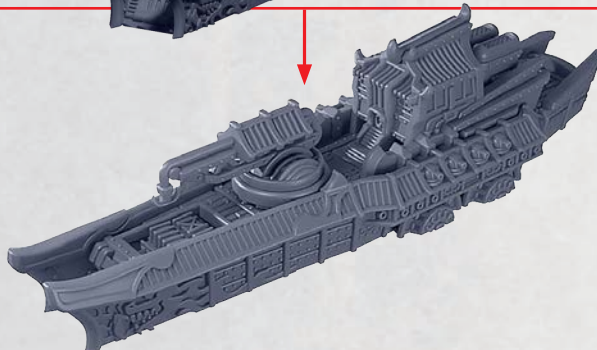
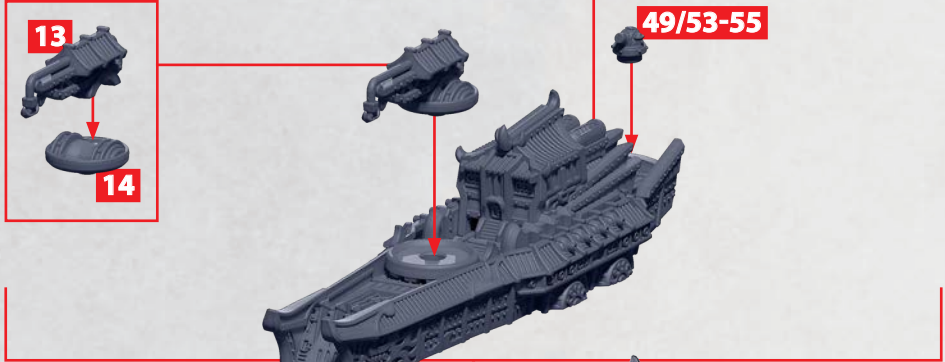
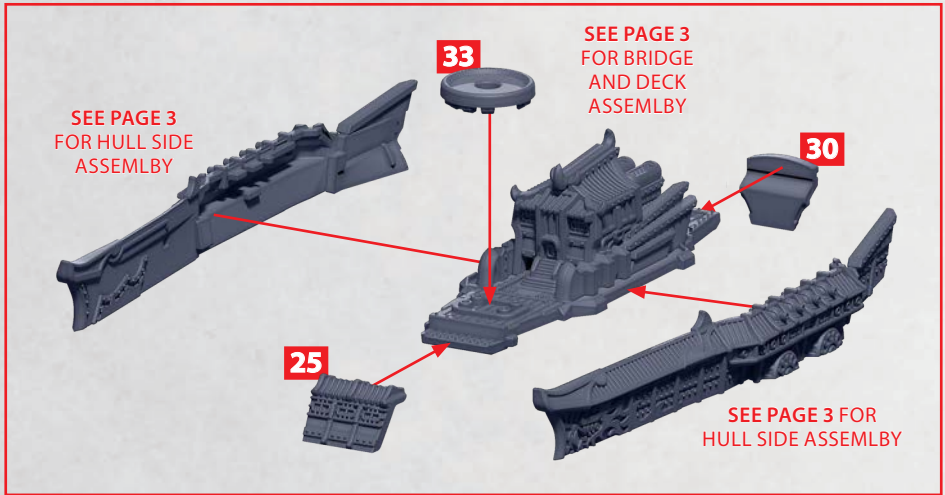
WUHAN REPAIR CRUISER

PARTS CAN BE FOUND ON THE **EMPIRE SUPPORT SQUADRONS** SPRUES



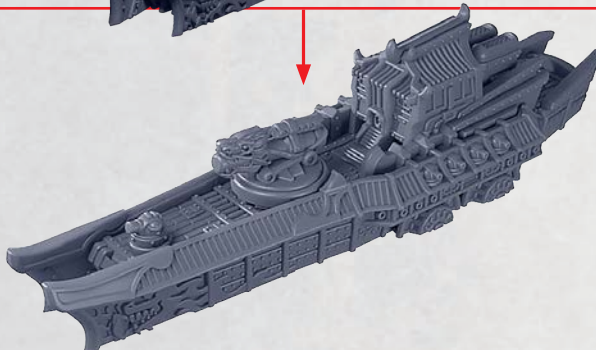
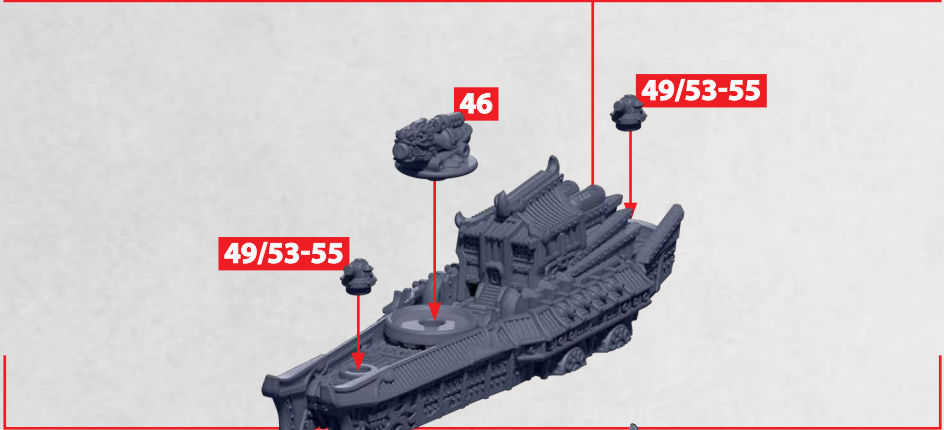
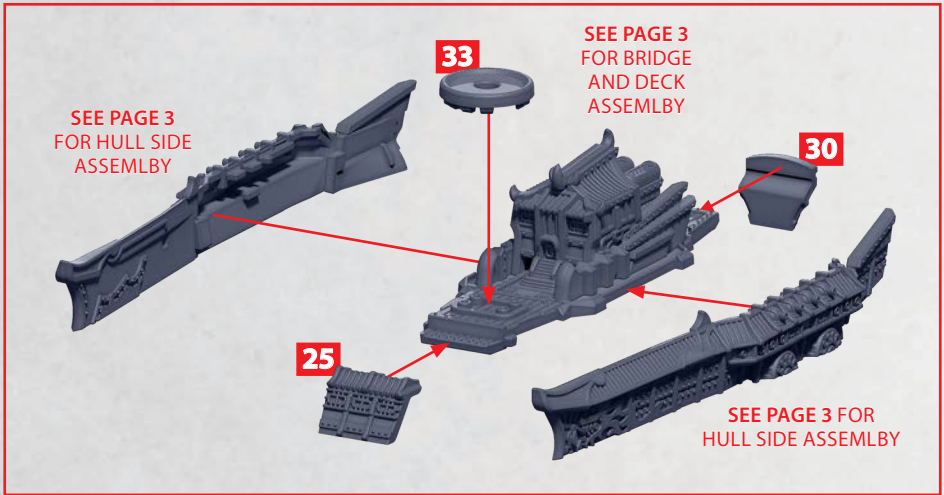
LANTAU MERCHANTMAN

PARTS CAN BE FOUND ON THE **EMPIRE SUPPORT SQUADRONS** SPRUES



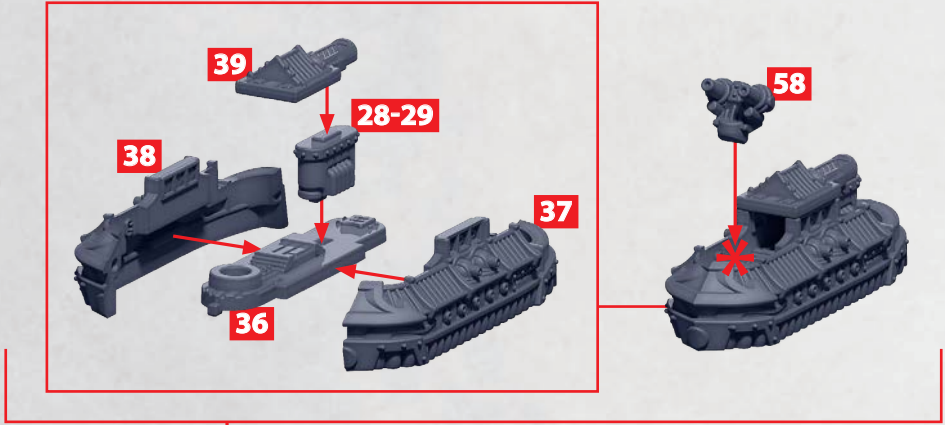
QIANG MEDIUM CRUISER

PARTS CAN BE FOUND ON THE **EMPIRE SUPPORT SQUADRONS** SPRUES



HEXIE HOVER ZEBEK

PARTS CAN BE FOUND ON THE **EMPIRE SUPPORT SQUADRONS** SPRUES



* ALL TURRETS ARE INTERCHANGEABLE

ROCKET BATTERY



50/56

GUN BATTERY



49/53-55

CORROSIVE MORTAR



51/57

LANDING TOKEN

PARTS CAN BE FOUND ON THE **EMPIRE SUPPORT SQUADRONS** SPRUES

