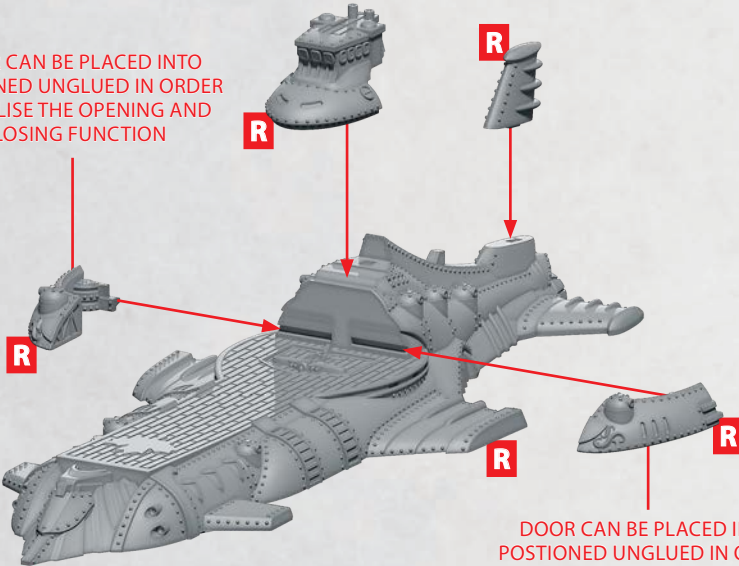


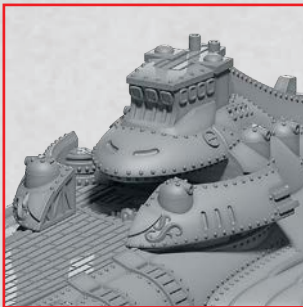
# PROTECTEUR

PARTS CAN BE FOUND AS RESIN COMPONENTS

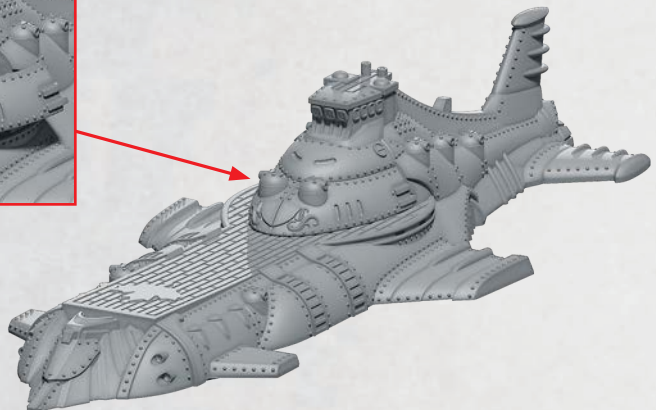
DOOR CAN BE PLACED INTO  
POSITIONED UNGLUED IN ORDER  
TO UTILISE THE OPENING AND  
CLOSING FUNCTION



DOOR CAN BE PLACED INTO  
POSITIONED UNGLUED IN ORDER  
TO UTILISE THE OPENING AND  
CLOSING FUNCTION



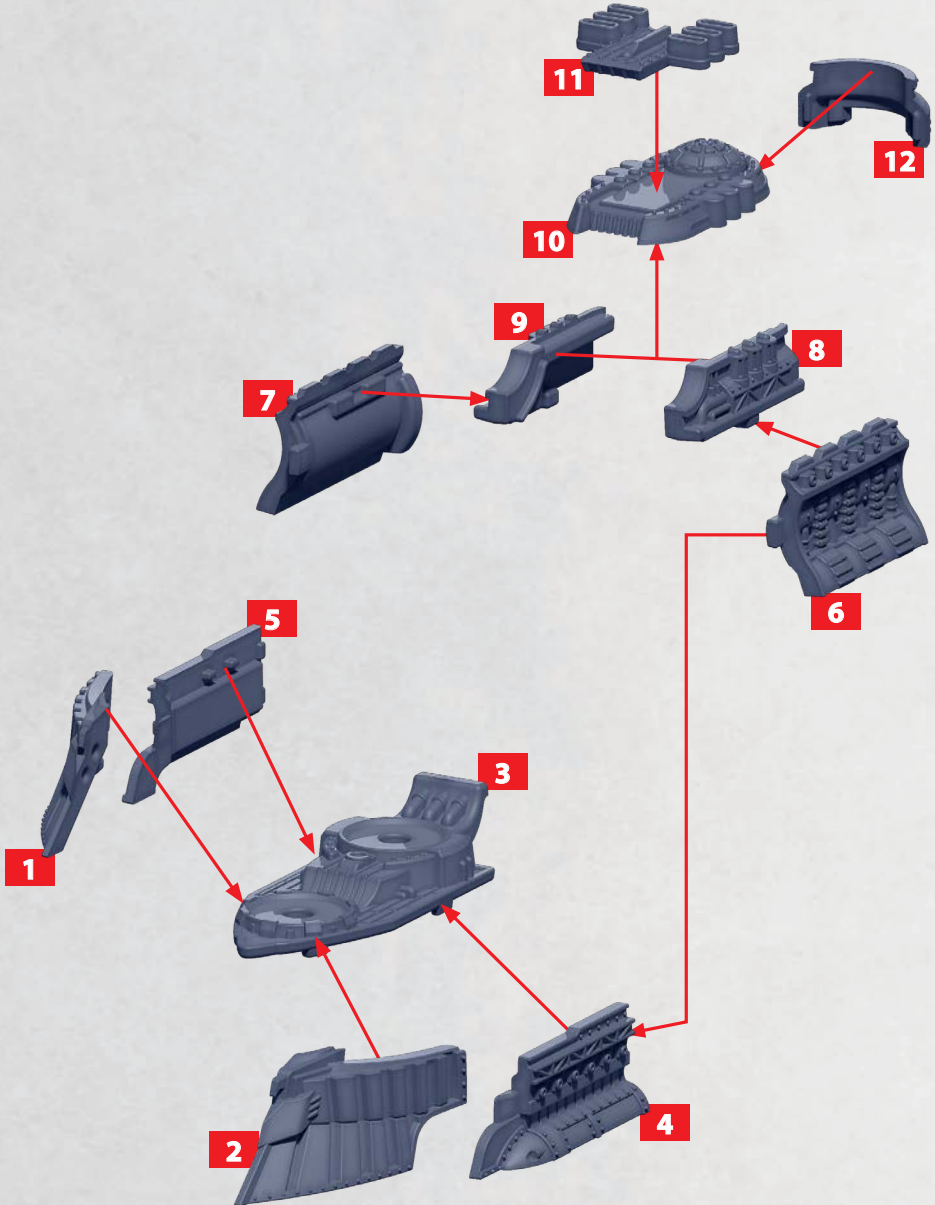
ABOVE: DOORS OPEN  
RIGHT: DOORS CLOSED



**R** = RESIN

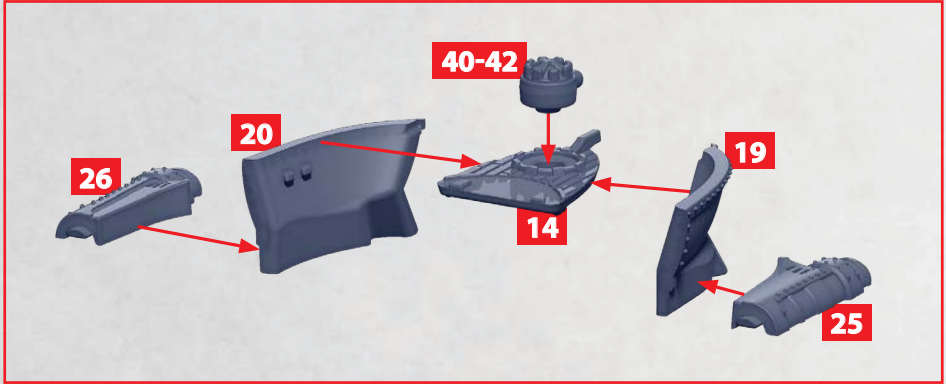
# HULL FOR CANADIAN FRONTLINE CRUISERS

PARTS CAN BE FOUND ON THE CANADIAN FRONTLINE SQUADRONS SPRUES



# BONADVENTURE STRIKE CRUISER

PARTS CAN BE FOUND ON THE **CANADIAN FRONTLINE SQUADRONS** SPRUES



HEAVY  
ROCKET  
BATTERY



**34/35**

HEAVY  
GUN  
BATTERY



**36/37**

HEAVY  
TORPEDO  
TURRET

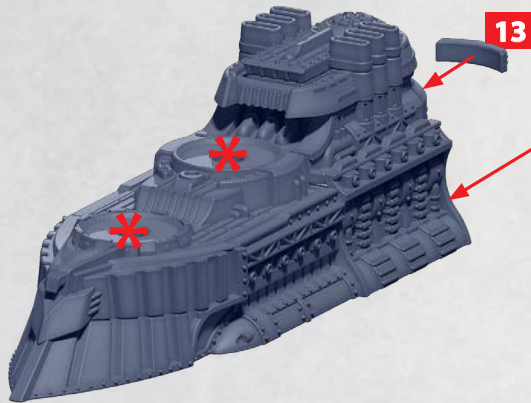
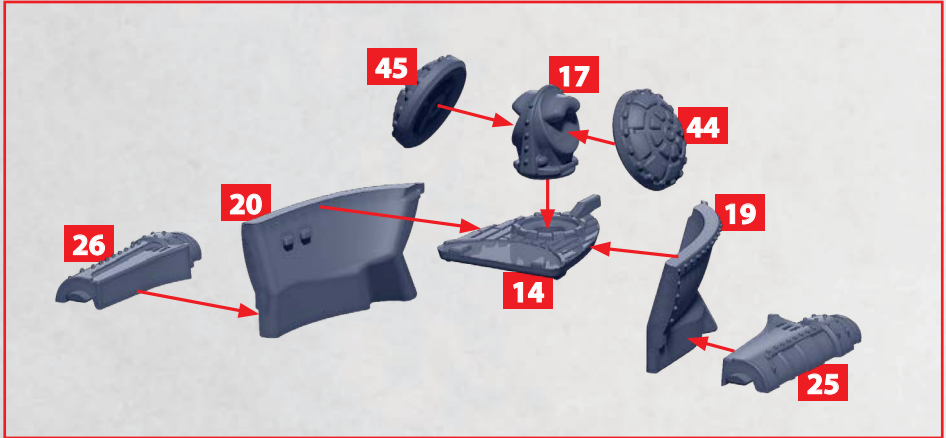


**38/39**

\* ALL TURRETS ARE INTERCHANGEABLE

# HALIFAX SHIELD CRUISER

PARTS CAN BE FOUND ON THE **CANADIAN FRONTLINE SQUADRONS** SPRUES



HEAVY  
ROCKET  
BATTERY



**34/35**

HEAVY  
GUN  
BATTERY



**36/37**

HEAVY  
TORPEDO  
TURRET

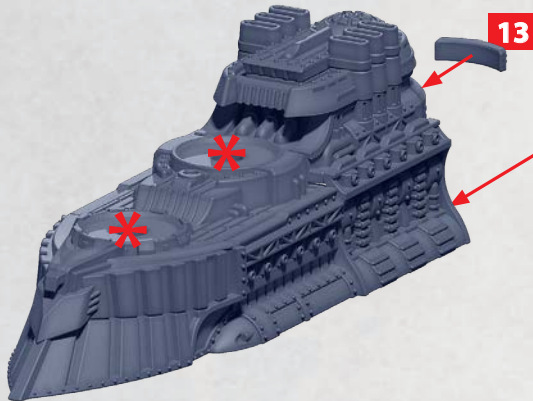
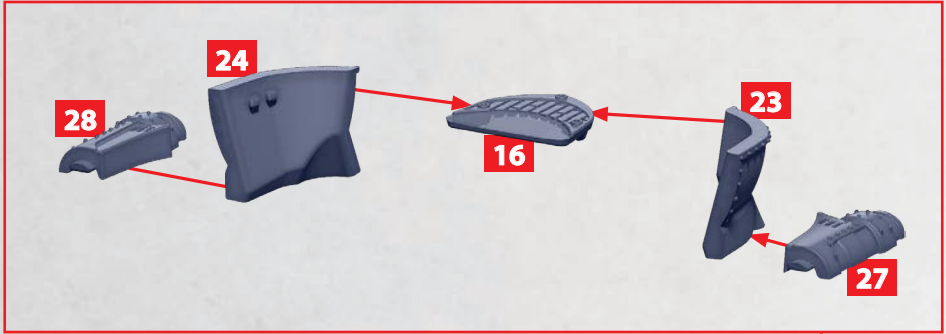


**38/39**

\* ALL TURRETS ARE INTERCHANGEABLE

# NEWFOUNDLAND ATTACK CRUISER

PARTS CAN BE FOUND ON THE **CANADIAN FRONTLINE SQUADRONS** SPRUES



HEAVY  
ROCKET  
BATTERY



34/35

HEAVY  
GUN  
BATTERY



36/37

HEAVY  
TORPEDO  
TURRET

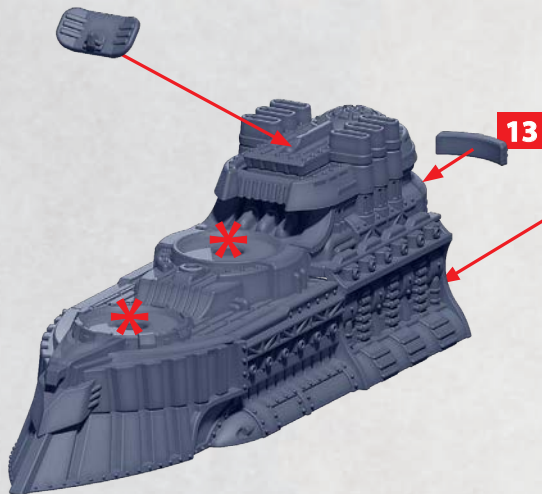
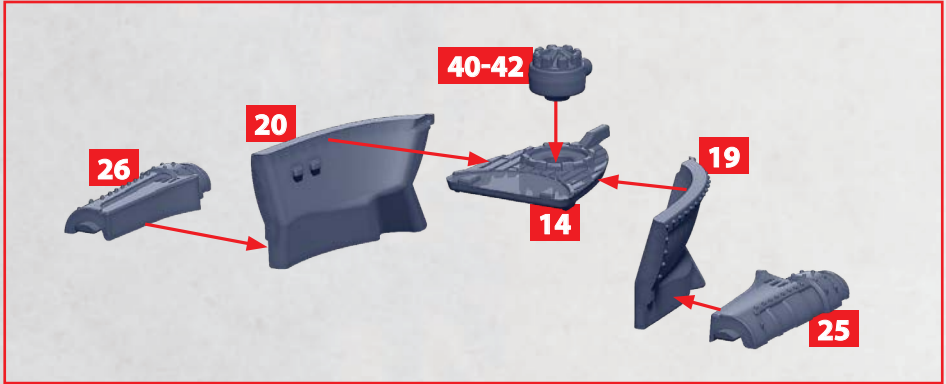


38/39

\* ALL TURRETS ARE INTERCHANGEABLE

# TORONTO CONTROL CRUISER

PARTS CAN BE FOUND ON THE **CANADIAN FRONTLINE SQUADRONS** SPRUES



HEAVY  
ROCKET  
BATTERY

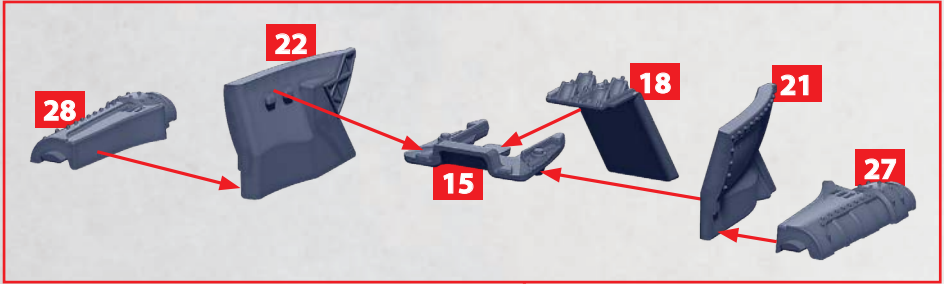


34/35

\* ALL TURRETS ARE INTERCHANGEABLE

## YUKON AUXILIARY CRUISER

PARTS CAN BE FOUND ON THE **CANADIAN FRONTLINE SQUADRONS** SPRUES



\* ALL TURRETS ARE INTERCHANGEABLE

HEAVY  
ROCKET  
BATTERY



34/35

HEAVY  
GUN  
BATTERY



36/37

HEAVY  
TORPEDO  
TURRET



38/39

## ORCA HUNTER SUBMARINE

PARTS CAN BE FOUND ON THE **CANADIAN FRONTLINE SQUADRONS** SPRUES

