

**NOTE: RINSE SPRUES IN WARM SOAPOY WATER TO REMOVE ANY MOULD RELEASE BEFORE ASSEMBLY**



## OFFICER FLAGS

FLAG PARTS CAN BE FOUND ACROSS VARIOUS ARMoured CLASH SPRUES AND THE BASES SPRUE

THERE ARE VARIOUS FLAG OPTIONS ACROSS ARMoured CLASH SPRUES USED TO DEFINE LEADER MODELS WITHIN UNITS

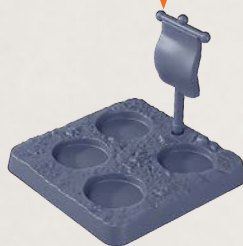
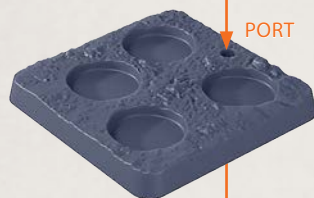
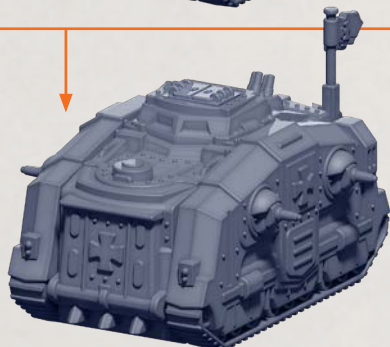
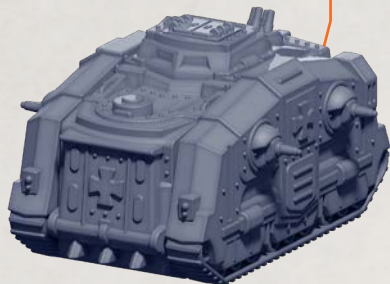
ARMoured CLASH SPRUES WILL CONTAIN VARIOUS OPTIONS FOR THE OFFICER'S FLAG, THESE CAN BE APPLIED TO A SUITABLE AREA ON ANY MODEL NOT SITUATED ON A BASE



ON THE BASES SPRUE YOU WILL FIND A PENNANT FLAG AND BASE THAT INCLUDES A PORT FOR IT



THIS PARTICULAR COMBINATION CAN BE USED WITH UNITS TO DEFINE A MODEL THAT CONTAINS AS AN OFFICER (PARTICULARLY WITH FIGURES SETS THAT DO NOT CONTAIN A FLAG BEARER)

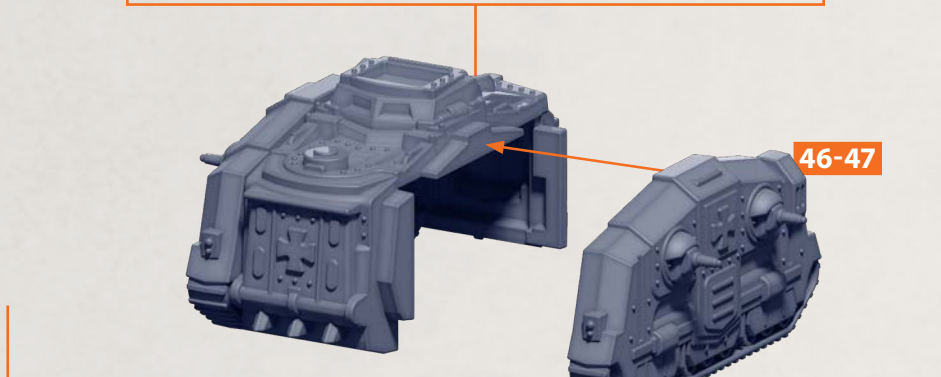
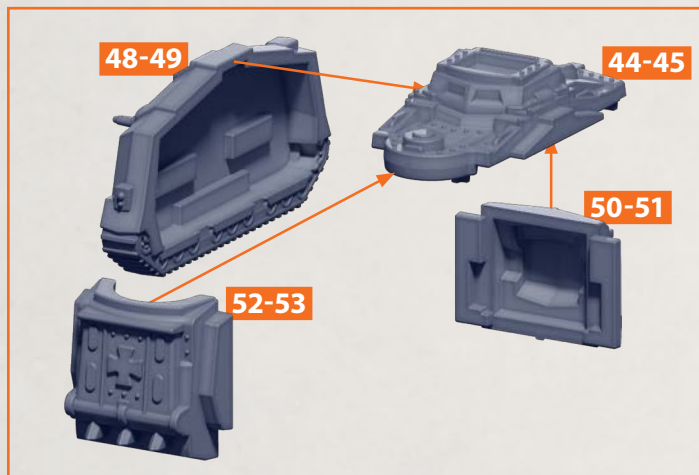


**NOTE: RINSE SPRUES IN WARM SOAPY WATER TO REMOVE ANY MOULD RELEASE BEFORE ASSEMBLY**



# PANZERWAGEN ARMoured TRANSPORTS

PARTS CAN BE FOUND ON THE IMPERIUM TEUTONIC REGIMENT SPRUE



**NOTE: RINSE SPRUES IN WARM SOAPY WATER TO REMOVE ANY MOULD RELEASE BEFORE ASSEMBLY**



# PANZERWAGEN ARMoured TRANSPORTS

PARTS CAN BE FOUND ON THE IMPERIUM TEUTONIC REGIMENT SPRUE



180°  
ROTATED



ONE TANK SHOULD INCLUDE THE OPEN HATCH OPTION (ABOVE) TO DEFINE THE OFFICER, ALL OTHERS ARE CLOSED (BELOW)



EXAMPLES SHOWING THE OFFICER TANK

**NOTE: RINSE SPRUES IN WARM SOAPY WATER TO REMOVE ANY MOULD RELEASE BEFORE ASSEMBLY**



# TEUTONIC ARMIGER CASTELLANS

PARTS CAN BE FOUND ON THE IMPERIUM TEUTONIC REGIMENT SPRUE

31

19-21/24/27

**NOTE THE OFFICER (PARTS 30, 31 AND ONE OF 19, 20, 21, 24 OR 27) MUST APPEAR ON ONE OF THE MODEL BASES**

30



22/25/28

19-21/24/27

**NOTE: OPTIONS FOR BODY AND ARMS DIFFER BETWEEN NUMBERED OPTIONS SHOWN**



16-18/23/26/29

ANY TWO SQUIRES STAND BEHIND THE TEUTONIC ARMIGER CASTELLANS

32

33

34

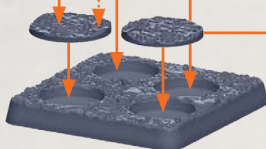
35

57

58



BLANK STANDS CAN BE ADDED TO BASES TO FILL SPACES NOT OCCUPIED BY A SQUIRE



EXAMPLES SHOWING BOTH THE STANDARD MODELS (RIGHT) AND THE OFFICER (LEFT) ON A STANDARD BASE

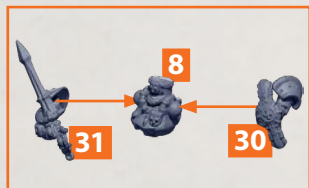
**NOTE: RINSE SPRUES IN WARM SOAPY WATER TO REMOVE ANY MOULD RELEASE BEFORE ASSEMBLY**



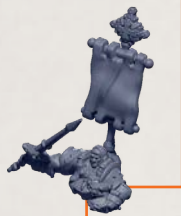
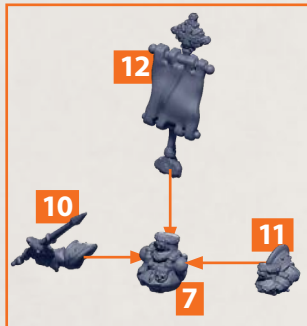
# TEUTONIC ARMIGER CRUSADERS OFFICER AND COMMANDER BUILD

PARTS CAN BE FOUND ON THE **IMPERIUM TEUTONIC REGIMENT** SPRUE

## OFFICER BUILD



## COMMANDER BUILD



9



## COMMANDER DOG BUILD



**NOTE: RINSE SPRUES IN WARM SOAPY WATER TO REMOVE ANY MOULD RELEASE BEFORE ASSEMBLY**



# TEUTONIC ARMIGER CRUSADERS CONTINUED

PARTS CAN BE FOUND ON THE IMPERIUM TEUTONIC REGIMENT SPRUE

**NOTE: THE OFFICER (SEE PAGE 5 FOR BUILD) ALONG WITH THE FLAG BEARER (38) MUST APPEAR ON ONE OF THE MODEL BASES, ALTERNATIVELY THE COMMANDER (SEE PAGE 5) CAN BE USED BUT MUST APPEAR ON ONE OF THE BASES WITH THE COMMANDER DOG (PARTS 61 & 62), EITHER OF THESE WILL REPLACE ONE STANDARD MODEL**

38

SEE PAGE 6 FOR BUILD



13-15

19-21/24/27

**NOTE: OPTIONS FOR BODY AND ARMS DIFFER BETWEEN NUMBERED OPTIONS SHOWN**

16-18/23/26/29



SQUIRES STAND BEHIND THE TEUTONIC ARMIGER CRUSADERS

32

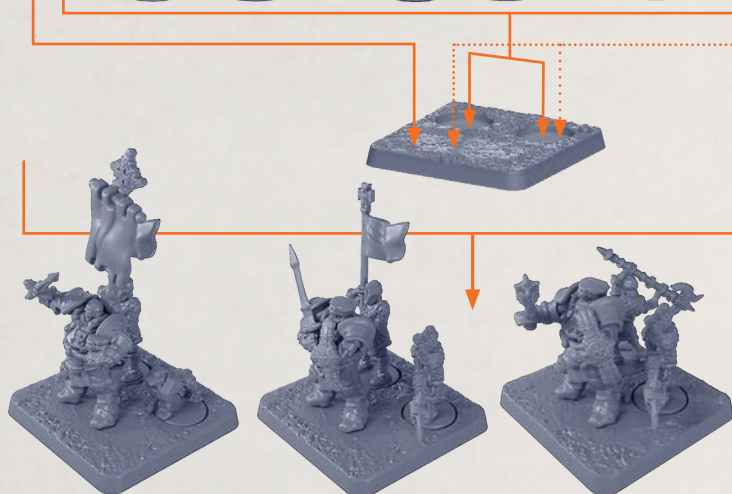
33

34

40

59

60



EXAMPLES SHOWING THE OFFICER MODEL (LEFT), COMMANDER (MIDDLE) AND THE STANDARD MODEL (RIGHT)