

NOTE: RINSE SPRUES IN WARM SOAPY WATER TO REMOVE ANY MOULD RELEASE BEFORE ASSEMBLY

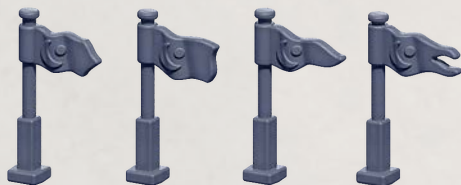


OFFICER FLAGS

FLAG PARTS CAN BE FOUND ACROSS **VARIOUS ARMoured CLASH SPRUES AND THE BASES SPRUE**

THERE ARE VARIOUS FLAG OPTIONS ACROSS ARMoured CLASH SPRUES USED TO DEFINE LEADER MODELS WITHIN UNITS

ARMoured CLASH SPRUES WILL CONTAIN VARIOUS OPTIONS FOR THE OFFICER'S FLAG, THESE CAN BE APPLIED TO A SUITABLE AREA ON ANY MODEL NOT SITUATED ON A BASE



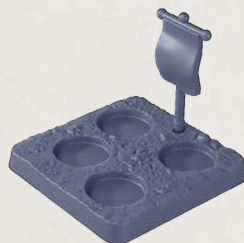
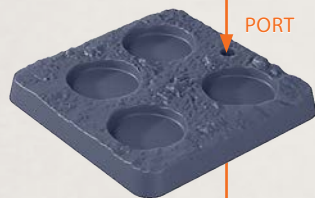
ON THE **BASES** SPRUE YOU WILL FIND A PENNANT FLAG AND BASE THAT INCLUDES A PORT FOR IT



THIS PARTICULAR COMBINATION CAN BE USED WITH UNITS TO DEFINE A MODEL THAT CONTAINS AS AN OFFICER (PARTICULARLY WITH FIGURES SETS THAT DO NOT CONTAIN A FLAG BEARER)



PORT



NOTE: RINSE SPRUES IN WARM SOAPY WATER TO REMOVE ANY MOULD RELEASE BEFORE ASSEMBLY



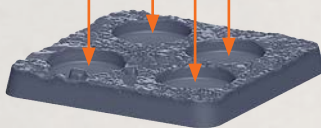
JANISSARIES

PARTS CAN BE FOUND ON THE LIGHT REGIMENT SPRUES

NOTE: ONE MODEL MUST INCLUDE THE OFFICER (PART 14) AND THE FLAG BEARER (PART 13)



ANY COMBINATION OF THE JANISSARIES CAN BE ADDED TO THE STANDARD BASES



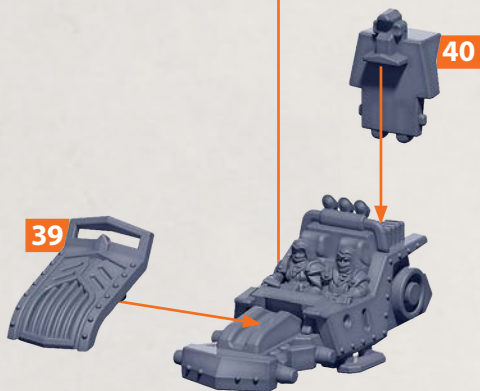
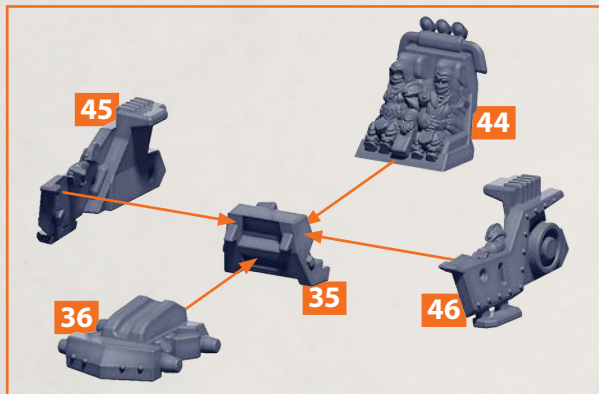
EXAMPLES SHOWING BOTH THE OFFICER (LEFT) AND STANDARD MODELS (RIGHT)

NOTE: RINSE SPRUES IN WARM SOAPY WATER TO REMOVE ANY MOULD RELEASE BEFORE ASSEMBLY



KAVGACI ATV & PARLAMA ATV BODY BUILD

PARTS CAN BE FOUND ON THE **LIGHT REGIMENT** SPRUES

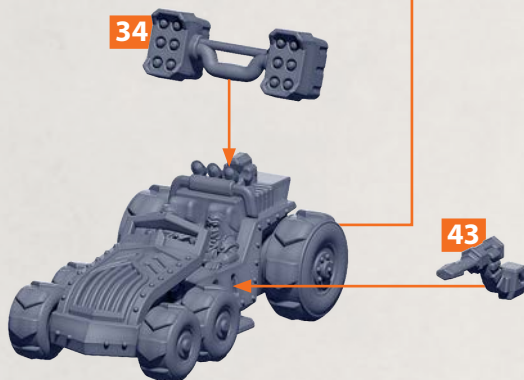
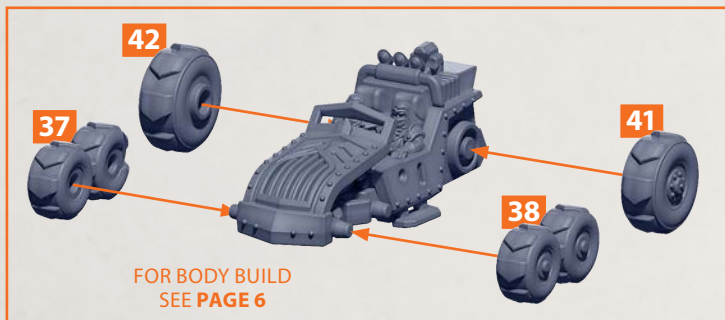


NOTE: RINSE SPRUES IN WARM SOAPY WATER TO REMOVE ANY MOULD RELEASE BEFORE ASSEMBLY



KAVGACI ATV

PARTS CAN BE FOUND ON THE **LIGHT REGIMENT** SPRUES

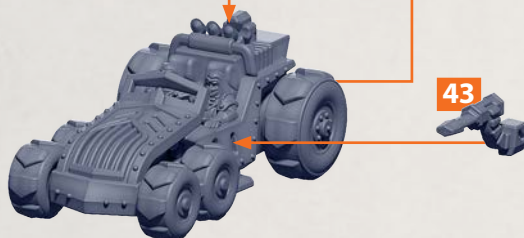
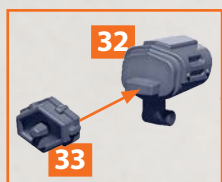
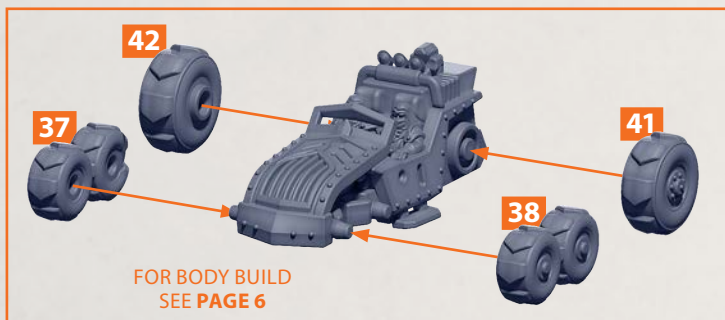


NOTE: RINSE SPRUES IN WARM SOAPY WATER TO REMOVE ANY MOULD RELEASE BEFORE ASSEMBLY



PARLAMA ATV

PARTS CAN BE FOUND ON THE **LIGHT REGIMENT** SPRUES



NOTE: RINSE SPRUES IN WARM SOAPY WATER TO REMOVE ANY MOULD RELEASE BEFORE ASSEMBLY



MERGEN TRANSPORT BODY BUILD

PARTS CAN BE FOUND ON THE **LIGHT REGIMENT** SPRUES

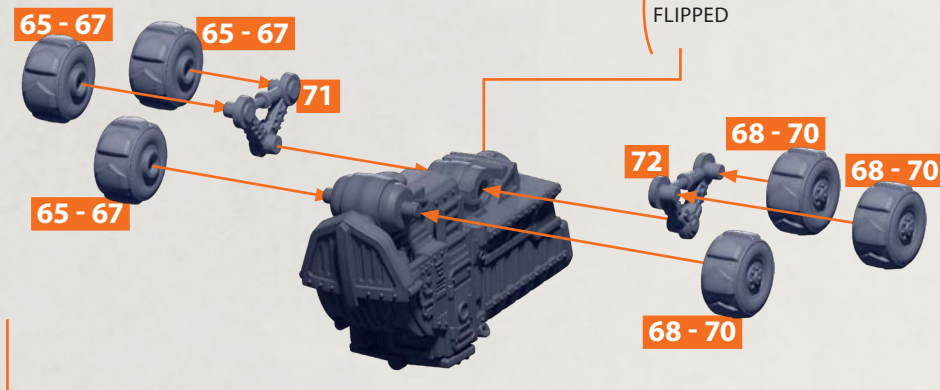
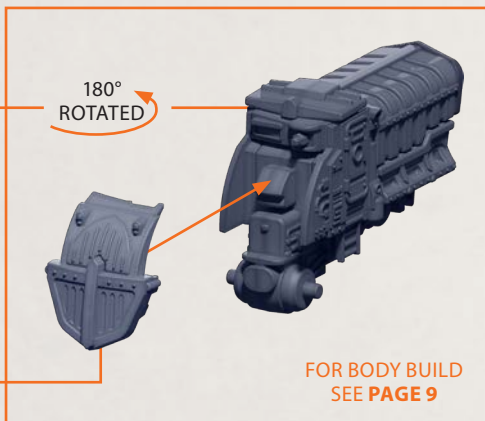
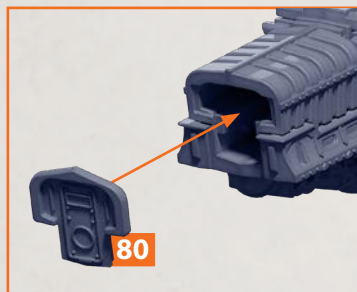


NOTE: RINSE SPRUES IN WARM SOAPY WATER TO REMOVE ANY MOULD RELEASE BEFORE ASSEMBLY



MERGEN TRANSPORT CONTINUED

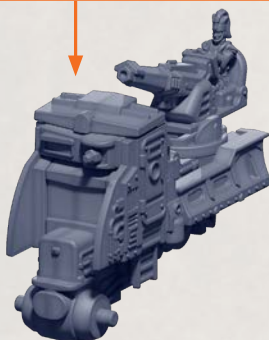
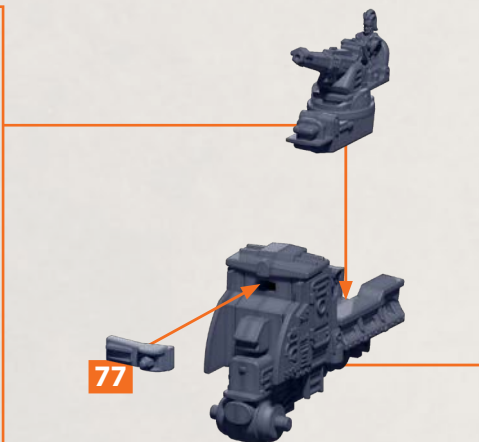
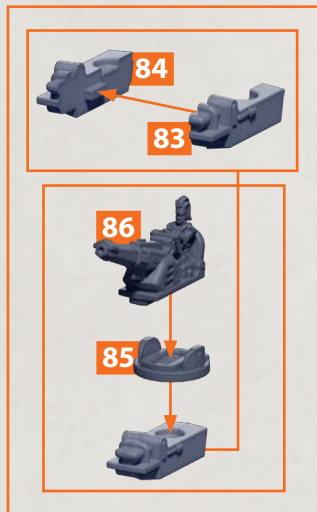
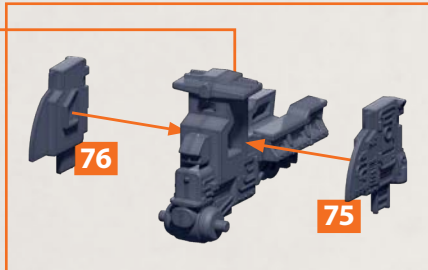
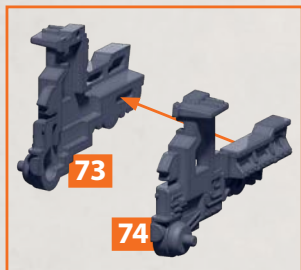
PARTS CAN BE FOUND ON THE **LIGHT REGIMENT** SPRUES



NOTE: RINSE SPRUES IN WARM SOAPY WATER TO REMOVE ANY MOULD RELEASE BEFORE ASSEMBLY

ULGEN MOBILE GUN BODY BUILD

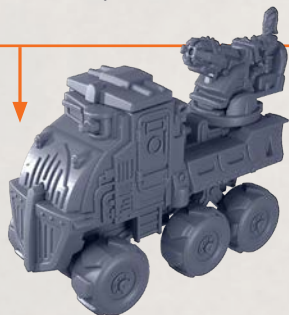
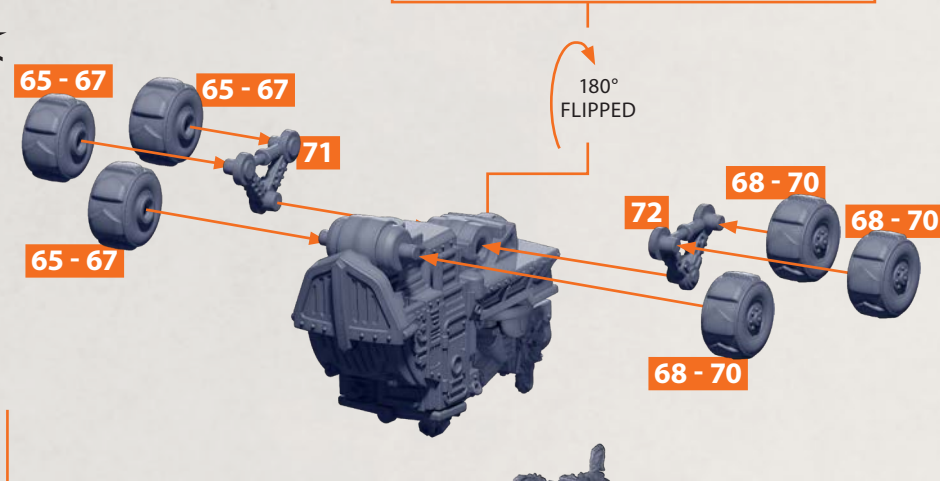
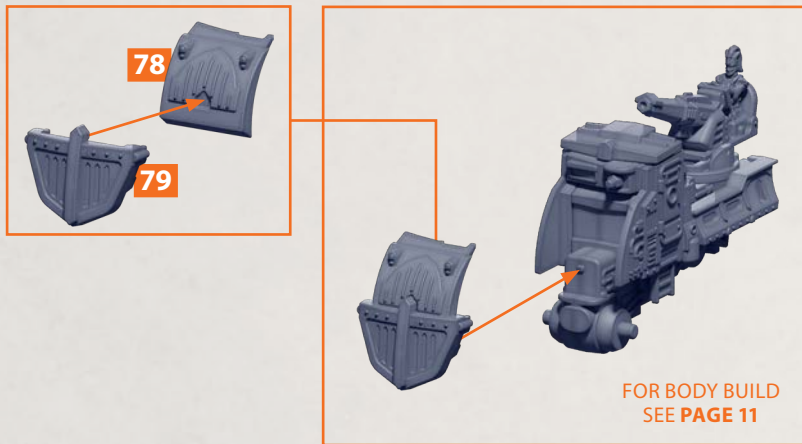
PARTS CAN BE FOUND ON THE **LIGHT REGIMENT** SPRUES



NOTE: RINSE SPRUES IN WARM SOAPY WATER TO REMOVE ANY MOULD RELEASE BEFORE ASSEMBLY

ULGEN MOBILE GUN CONTINUED

PARTS CAN BE FOUND ON THE **LIGHT REGIMENT** SPRUES



NOTE: RINSE SPRUES IN WARM SOAPY WATER TO REMOVE ANY MOULD RELEASE BEFORE ASSEMBLY



SPICA ORIONIS

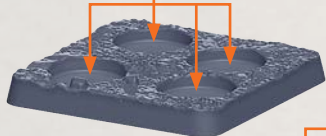
PARTS CAN BE FOUND ON THE **LIGHT REGIMENT** SPRUES



NOTE: ONE MODEL MUST INCLUDE THE OFFICER (PART 23)

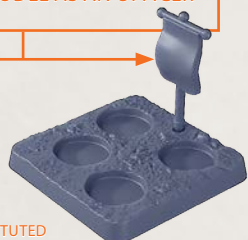


ANY COMBINATION OF THE HUNTERS CAN BE ADDED TO THE STANDARD BASES



EXAMPLES SHOWING BOTH THE OFFICER (LEFT) AND STANDARD MODELS (RIGHT)

THE OFFICER BASE CAN BE PLACED ON A **PENNANT FLAG BASE** OR HAVE A **FLAG ATTACHED** (SEE PAGE 4) IN ORDER TO FURTHER DEFINE THE MODEL AS AN OFFICER



*IF USING THE OFFICER FROM A SPRUE THEN ONE OF THE STANDARD ORIONIS WILL NEED TO BE SUBSTITUTED

NOTE: RINSE SPRUES IN WARM SOAPY WATER TO REMOVE ANY MOULD RELEASE BEFORE ASSEMBLY



PERSIAN IMMORTALS

PARTS CAN BE FOUND ON THE **LIGHT REGIMENT** SPRUES



64

NOTE: ONE MODEL MUST INCLUDE THE OFFICER (PART 64)



24



25



26



27

ANY COMBINATION OF THE PERSIANS CAN BE ADDED TO THE STANDARD BASES



28



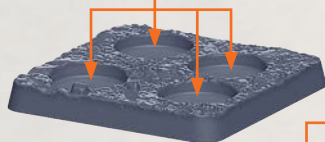
29



30

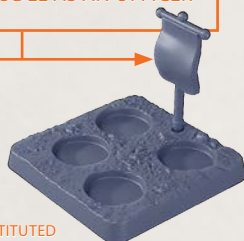


31



EXAMPLES SHOWING BOTH THE OFFICER (LEFT) AND STANDARD MODELS (RIGHT)

THE OFFICER BASE CAN BE PLACED ON A **PENNANT FLAG BASE** OR **HAVE A FLAG ATTACHED (SEE PAGE 4)** IN ORDER TO FURTHER DEFINE THE MODEL AS AN OFFICER

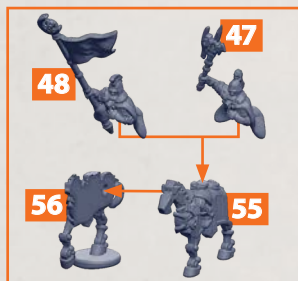


*IF USING THE OFFICER FROM A SPRUE THEN ONE OF THE STANDARD PERSIANS WILL NEED TO BE SUBSTITUTED

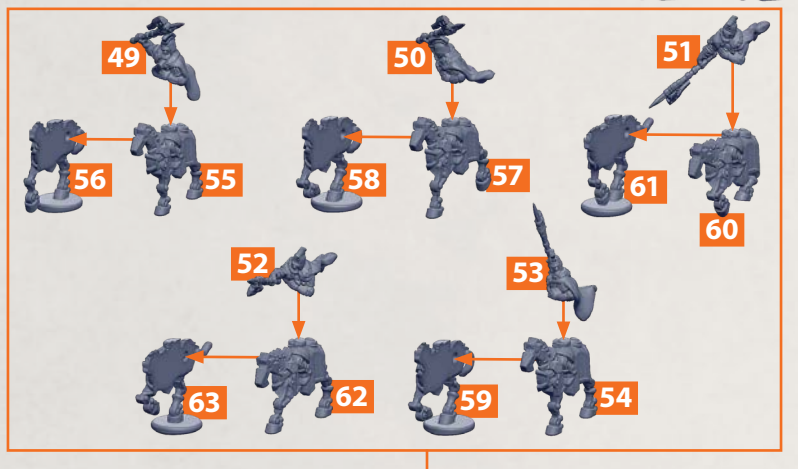
NOTE: RINSE SPRUES IN WARM SOAPY WATER TO REMOVE ANY MOULD RELEASE BEFORE ASSEMBLY

MACEDONIAN COMPANIONS

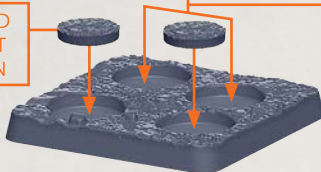
PARTS CAN BE FOUND ON THE **LIGHT REGIMENT** SPRUES



NOTE: THE OFFICER (PART 47) AND THE FLAG BEARER (PART 48) SHOWN ON THE HORSE (PARTS 55 AND 56) MUST APPEAR ON ONE OF THE MODEL BASES



BLANK STANDS CAN BE ADDED TO BASES TO FILL SPACES NOT OCCUPIED BY A MACEDONIAN



EXAMPLES SHOWING BOTH THE OFFICER (LEFT) AND STANDARD MODELS (RIGHT)



*IF USING THE FLAG BEARER FROM A SPRUE THEN ONE OF THE STANDARD MODELS WILL NEED TO BE SUBSTITUTED